

4

3

2

1

**** PROPRIETARY DATA ****
 THIS DOCUMENT CONTAINS DATA WHICH IS PROPRIETARY OR CONFIDENTIAL TO WV COMM (WV COMMUNICATIONS INCORPORATED). THIS DOCUMENT AND THE DATA CONTAINED HEREIN SHALL NOT BE USED, DUPLICATED, OR ALTERED WITHOUT THE EXPRESSED WRITTEN CONSENT OF WV COMM. ALL RIGHTS ARE RESERVED.

REVISIONS				
ZONE	REV	DESCRIPTION	DATE	APPROVED
	A	PRELIMINARY RELEASE		

NOTES: UNLESS OTHERWISE SPECIFIED

- 1. INTERPRET THIS DRAWING PER MIL-STD-100E; INTERPRET DIMENSIONS AND TOLERANCES PER ASME Y14.5M-1994.**
- 2. EXTERIOR FINISH: ELECTROLESS NICKEL PER AMS 2404, CLASS 4.**
- 3. WV COMM PART NUMBER, SERIAL NUMBER & DATE CODE SHALL BE MARKED WHERE SHOWN USING PERMANENT BLACK EPOXY INK IAW MIL-STD-130.**
- 4. PORT DESIGNATIONS SHALL BE MARKED WHERE SHOWN USING PERMANENT BLACK EPOXY INK IAW MIL-STD-130.**
- 5. MOUNTING SURFACE WILL BE NICKEL PLATED COPPER.**

RF Characteristics

Frequency Range: 2.2 to 2.4 GHz
 Output Power: +40 dBm MIN @ 1dB compression
 Two Tone IP3: +50 dBm MIN
 Gain: 16 dB MIN
 Gain Flatness: ±0.5 dB MAX
 Input/Output VSWR: 2.0:1 MAX
 Output Protection: Integral Output Isolator No Damage Operating into Open or Short
 Burn In: 48 Hours

DC Power

Input Voltages: +10 VDC @ 6 A MAX, -12 VDC @ 90 ma MAX
 Internal Negative Gate Supply Protection

Mechanical

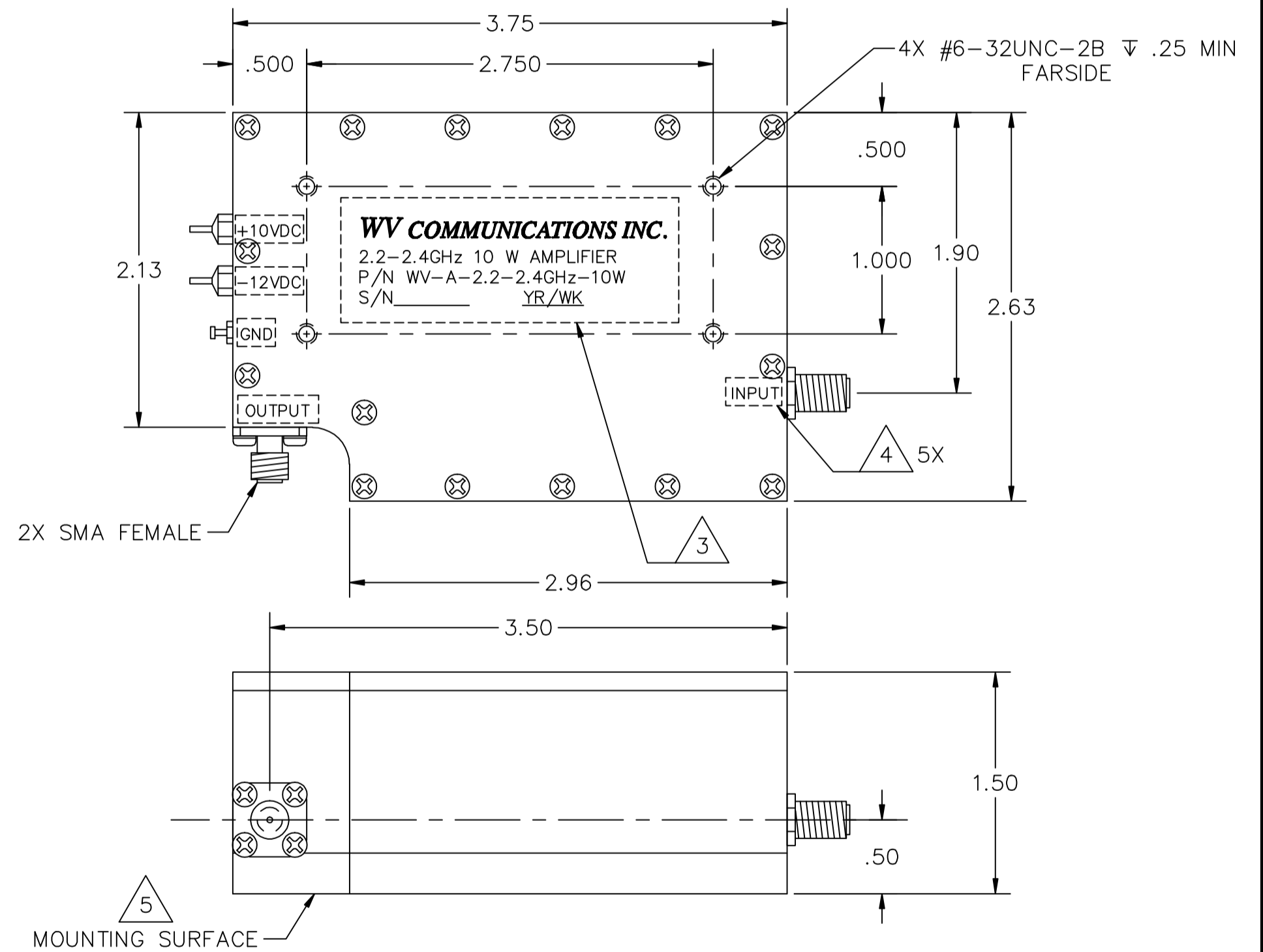
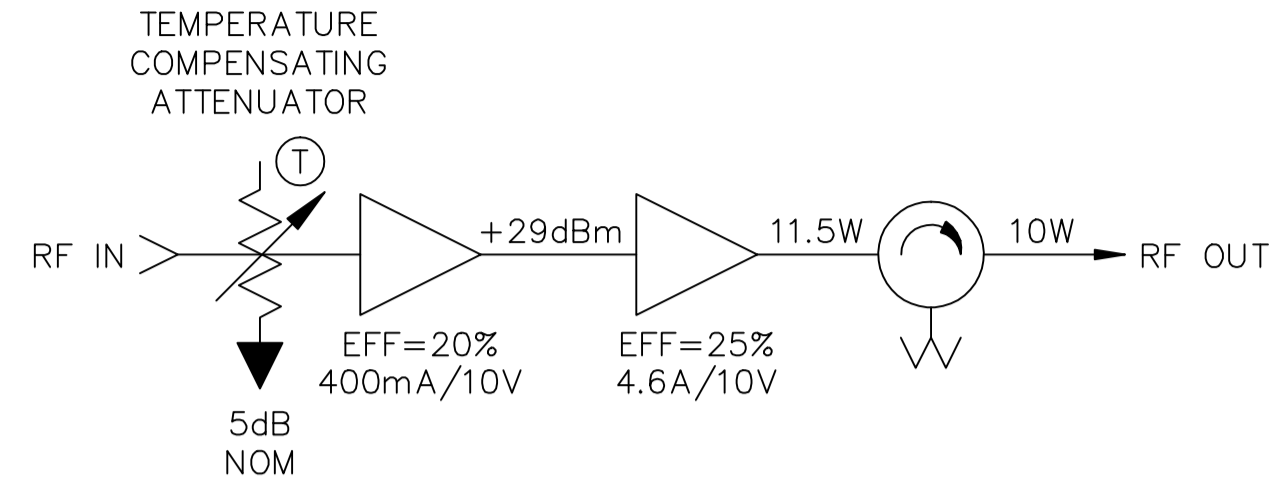
Size: See Outline Drawing
 Weight: 2 Lbs MAX

Connectors

RF In/Out: SMA Female
 DC: Spectrum Control P/N 1201-066 or equivalent

Environmental

Temperature: 0 to +65° C
 Vibration: IAW MIL-STD-167-1, Type I Shipboard
 Humidity etc.: O-Ring Sealed
 Calculated MTBF: 20,000 hours MIN



UNLESS OTHERWISE SPECIFIED: DIMENSIONS ARE IN INCHES. TOLERANCES ARE:
 FRACTIONS DECIMALS ANGLES HOLES
 ± 1/64 .XX±.01 ±0°30' .XX±.005
 .XXX±.005 .XXX±.003
 MACHINED FINISH: 32 RMS
 REMOVE BURRS .005 MAX

MATERIAL
 FINISH

APPROVALS		DATE
DRAWN	MCDONOUGH	05/25/99
CHECKED		
MECH ENGR		
ELEC ENGR		
P/PA		
APPROVED		

WV Communications 780/F LAKEFIELD RD.
 WESTLAKE VILLAGE, CA

**OUTLINE AND MOUNTING
 2.2-2.4GHz 10W AMPLIFIER**

SIZE	CAGE CODE	DWG. NO.	REV
C	1GFQ7	WV-A-2.2-2.4GHz-10W	A
SCALE	NONE	SHEET	1 OF 1

APPLICATION	USED ON

DO NOT SCALE DRAWING

4

3

2

1

DWG. NO. WV-A-2.2-2.4GHz-10W REV A
 DC-FORM-00015-3, REV C, 06/88