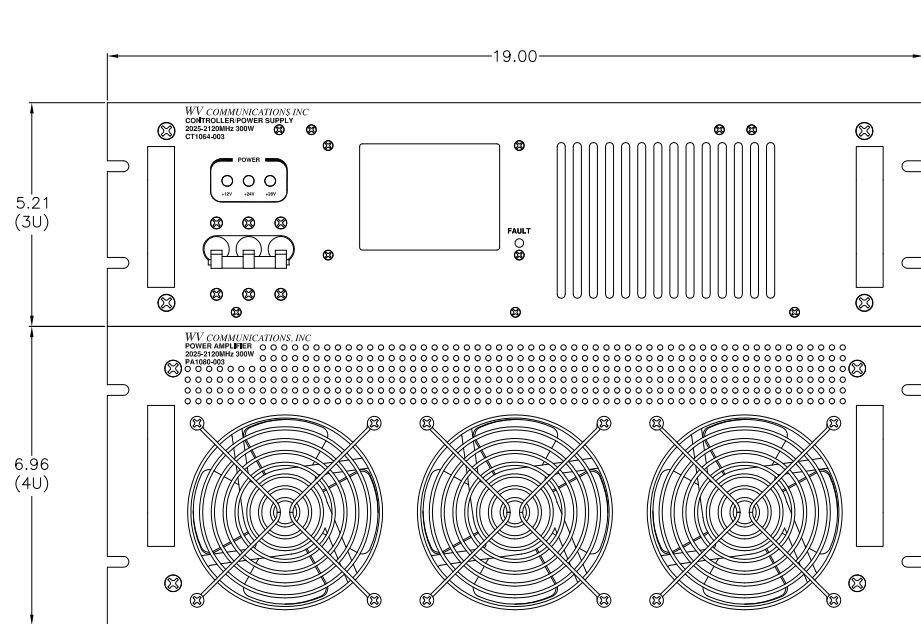


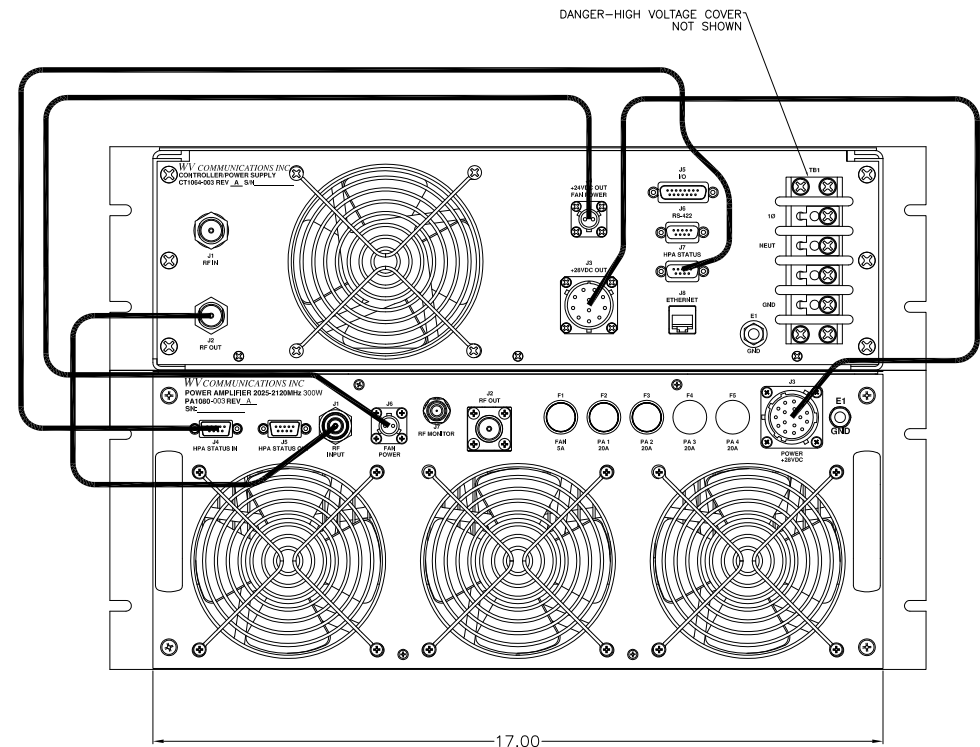
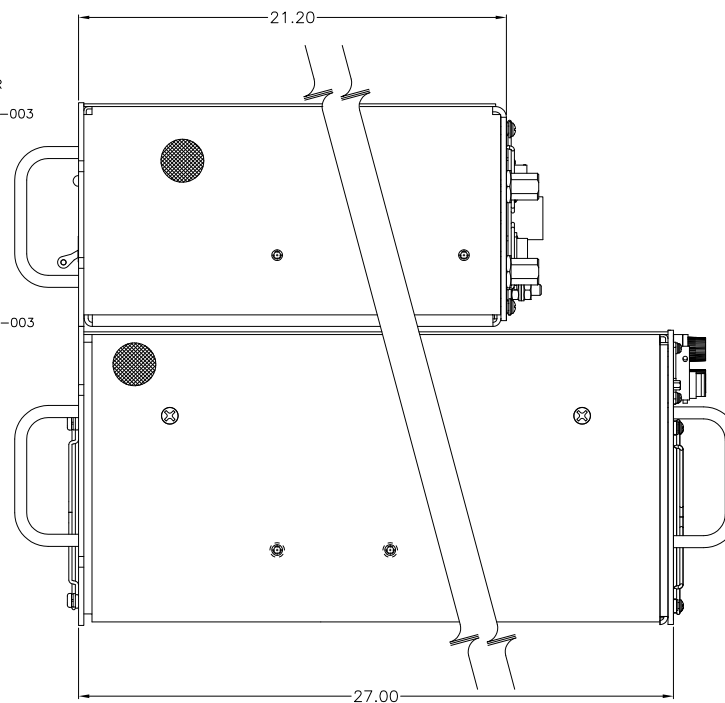
**** PROPRIETARY DATA ****
 THIS DOCUMENT CONTAINS DATA WHICH IS PROPRIETARY OR CONFIDENTIAL TO WV COMM (WV COMMUNICATIONS INCORPORATED). THIS DOCUMENT AND THE DATA CONTAINED HEREIN SHALL NOT BE USED, DUPLICATED, OR ALTERED WITHOUT THE EXPRESSED WRITTEN CONSENT OF WV COMM. ALL RIGHTS ARE RESERVED.

REVISIONS				
ZONE	REV	DESCRIPTION	DATE	APPROVED
A		RELEASED	11/17/14	TT



POWER SUPPLY/CONTROLLER
 2025-2120 300W
 050-50958-003 - CT1064-003

POWER AMPLIFIER
 2025-2120 300W
 050-50957-003 - PA1080-003



SPECIFICATIONS SUMMARY

OPERATING FREQUENCY RANGES: 2025-2120MHz
RF OUTPUT POWER: 300W CW Minimum at P1dB Compression
RF OUTPUT PROTECTION: Integral Output protected No Oscillation at any Phase Angle at any Load Impedance & Phase Angle
RF INPUT POWER: 0dBm±3dB Range Nominal
MAXIMUM RF INPUT POWER: +10dBm Maximum without Damage
RF OUTPUT POWER GAIN FLATNESS: ±2dB Maximum over 2025-2120MHz (Ref 50Ω) 1.25:1 Load VSWR
 ±0.25dB Maximum over any 4MHz Band in the 2025-2120MHz Range into 1.25:1 Load VSWR
RF POWER MONITOR: 40dBc Nominal
RESIDUAL AM: 50dBc Maximum
RESIDUAL PHASE NOISE: 2° RMS Maximum at 50Hz to 1MHz offset
INPUT AND OUTPUT IMPEDANCE: 50Ω Nominal
INPUT / OUTPUT VSWR: 1.5:1 Maximum (Ref 50Ω)
NOISE DENSITY: -180dBc/Hz Maximum over 2200-2300MHz
 -55dBc Maximum over 2025-2120MHz
 -145dBc Maximum over 2200-2300MHz
 -85dBc Maximum below 2025MHz & above 2300MHz
HARMONIC & SPURIOUS LEVELS:
 Class 'AB' Linear
OPERATION CLASS: Class 'AB' Linear
OPERATION MODES: VVA ('Linear'), ALC (Auto Level Control)
OUTPUT POWER CONTROL: 25dB Range Minimum
OUTPUT POWER CONTROL STEP: 0.1dB Nominal
COOLING: Forced air via integral Front Panel Intake and Rear Panel Exhaust Fans
OVER TEMPERATURE PROTECTION: Thermostat Shut-Off Indication at +77°C Heatsink Temperature
MONITORING & CONTROL: Local: Via Front Panel Color LCD Touchscreen
 Remote: Via Ethernet UDP Protocol/RS-232/RS-422 9.6K-115.2KB, N,8,1, Power Adjustment, Thermal Overload/Shutdown, RF Output Power Fwd/Ref, Power Supply Voltage, Transistor Current, RF Power Module Status/Fault, On Line / Standby Muting.
REMOTE INTERLOCK: Via J5 PINS 1&3
 24VDC- Amplifier On
 0VDC - Amplifier Off
MTBF: 10,000 Hours Nominal
MTRR: 1.25 Hours Nominal
TEMPERATURE RANGES: Operating 0 to +50°C Non-Operating 0 to +70°C
ALTITUDE: MSL to 10,000 Ft
HUMIDITY: 0 to 95% Non-Condensing
DRAWERS CHASSIS DEPTH: 27" Maximum
AC INPUT POWER: 180-264VAC, 47-63Hz Single (1) Phase at 2KW Maximum (1.5KW Typical at 300W RF Output Power)
FRONT PANEL COLOR: GRAY per MIL-STD-595 26307

UNLESS OTHERWISE SPECIFIED: DIMENSIONS ARE IN INCHES. TOLERANCES ARE:		APPROVALS	DATE	<i>WV Communications</i> 1125 A Business Center Circle Newbury Park, CA
FRACTIONS	DECIMALS	ANGLES	HOLE	
± 1/64	.XXX1	±0°30'	.XXX1	DRAWN TONY T. 11/17/2014 CHECKED TT 11/17/14 MECH ENGR TT 11/17/14 ELEC ENGR JT 11/17/14 PRODUCTION AM 11/17/14 Q.A. SH 11/17/14
	.XXX1		.XXX1	
MACHINED FINISH: 32 RMS REMOVE BURRS .005 MAX				AMPLIFIER SYSTEM 2025-2120MHz 300W MODEL: SYS1041-003
MATERIAL				
900-50402-003	SYS1041-003			SIZE CAGE CODE DWG. NO. REV D 1GFQ7 050-50961 A
NEXT ASSEMBLY USED ON				SCALE NONE SHEET 1 OF 1
APPLICATION		DO NOT SCALE DRAWING		

REV A
 DWG NO. 050-50961
 DC-PFORM-001E-3, REV C, 06/08