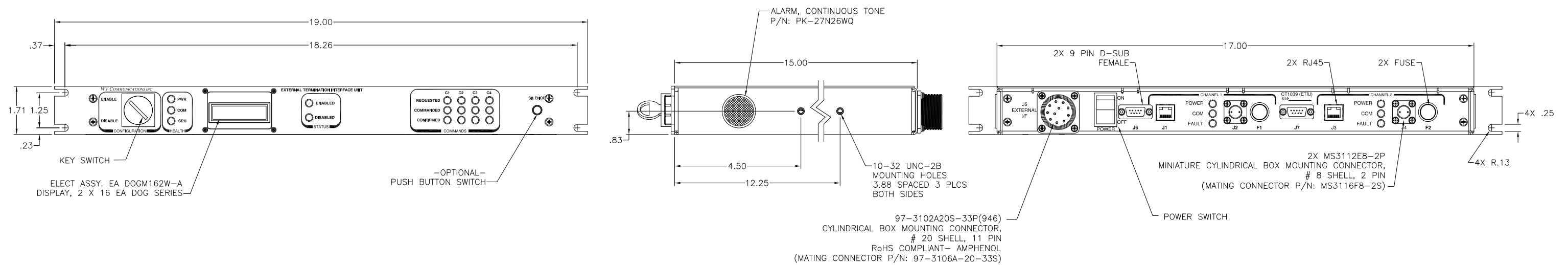


**** PROPRIETARY DATA ****
 THIS DOCUMENT CONTAINS DATA WHICH IS PROPRIETARY OR CONFIDENTIAL TO WV COMM (WV COMMUNICATIONS INCORPORATED). THIS DOCUMENT AND THE DATA CONTAINED HEREIN SHALL NOT BE USED, DUPLICATED, OR ALTERED WITHOUT THE EXPRESSED WRITTEN CONSENT OF WV COMM. ALL RIGHTS ARE RESERVED.

REVISIONS				
ZONE	REV	DESCRIPTION	DATE	APPROVED
A		RELEASED	6/10/2015	TT



J7 - RS-232	
PIN NO.	PIN NAME
1	N/C
2	RX
3	TX
4	N/C
5	GND
6	N/C
7	N/C
8	N/C
9	N/C

J6 - RS-232	
PIN NO.	PIN NAME
1	N/C
2	RX
3	TX
4	N/C
5	GND
6	N/C
7	N/C
8	N/C
9	N/C

J1 ETHERNET	
PIN No.	DESCRIPTION
1	TX+
2	TX-
3	RX+
4	N/C
5	N/C
6	RX-
7	N/C
8	N/C

J2 DC POWER In	
PIN No.	DESCRIPTION
1	+48V
2	48V RTN

J3 ETHERNET	
PIN No.	DESCRIPTION
1	TX+
2	TX-
3	RX+
4	N/C
5	N/C
6	RX-
7	N/C
8	N/C

J4 DC POWER In	
PIN No.	DESCRIPTION
1	+48V
2	48V RTN

J5 EXTERNAL I/F	
PIN No.	DESCRIPTION
A	CMD #1+
B	CMD #1-
C	CMD #2+
D	CMD #2-
E	CMD #3+
F	CMD #3-
H	CMD #4+
J	CMD #4-
K	N/C
L	+5VDC Out
M	GND

SPECIFICATIONS:
EXTERNAL COMMAND LEVELS:
EXTERNAL COMMAND POLARITY: 0/+5VDC Differential levels
 A no trigger condition is generated with +5VDC applied to the plus (+) line and 0 Volts applied to the negative (-).
 A trigger condition is generated with 0 Volts applied to the (+) line and +5VDC applied to the (-) line
COMMUNICATION INTERFACE: 10/100Mb Ethernet
DC INPUT POWER: 48±4VDC at 1 Amp Maximum ea. Redundant Power Supplies
FRONT PANEL COLOR: Gray Per MIL-STD-595-26307

UNLESS OTHERWISE SPECIFIED: DIMENSIONS ARE IN INCHES. TOLERANCES ARE:	APPROVALS	DATE
FRACTIONS: ± 1/64 DECIMALS: .XXX, .01 ANGLES: ±0°30' HOLES: .XXX+0.003 REMOVE BURRS .005 MAX	DRAWN: TONY T. CHECKED: T.T. MECH ENGR: T.T. ELEC ENGR: J.T. PRODUCTION: A.M. Q.A.: D.B.	7/11/2012 7/11/12 7/11/12 7/11/12 7/11/12
MATERIAL: 900-50300-002		
FINISH: CT1039-002		
NEXT ASSEMBLY: USED ON		
APPLICATION: DO NOT SCALE DRAWING		

WV Communications 1176 Tourmaline Dr. Newbury Park, CA

EXTERNAL TERMINATION INTERFACE UNIT (ETIU) CT1039-002

SIZE: D	CAGE CODE: 1GFQ7	DWG. NO.: 050-50853-002	REV: A
SCALE: NONE	SHEET 1 OF 1		

REV A
050-50853-002