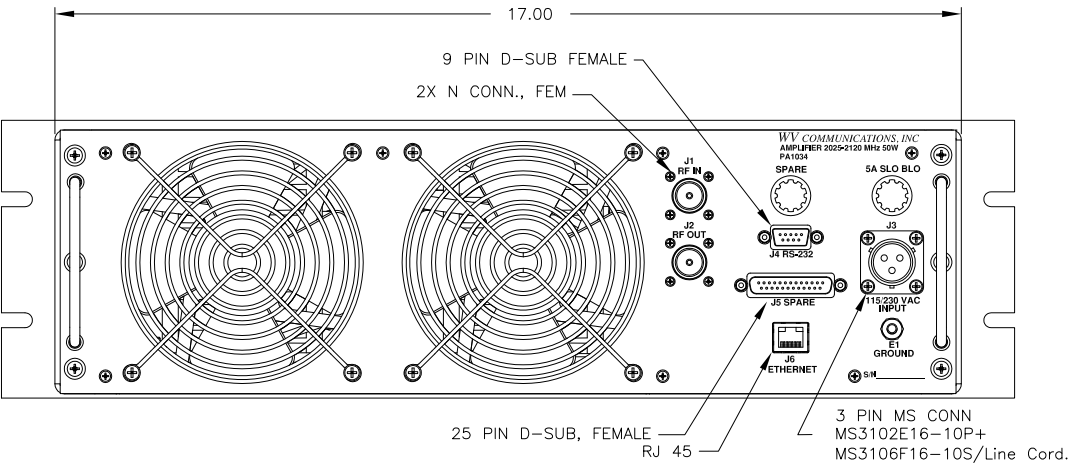
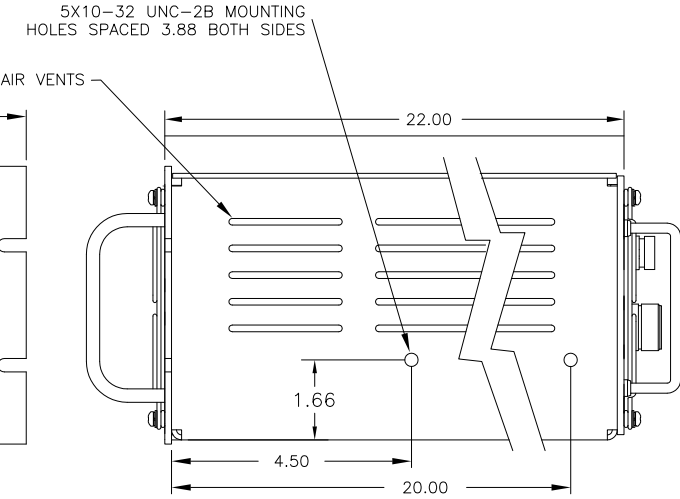
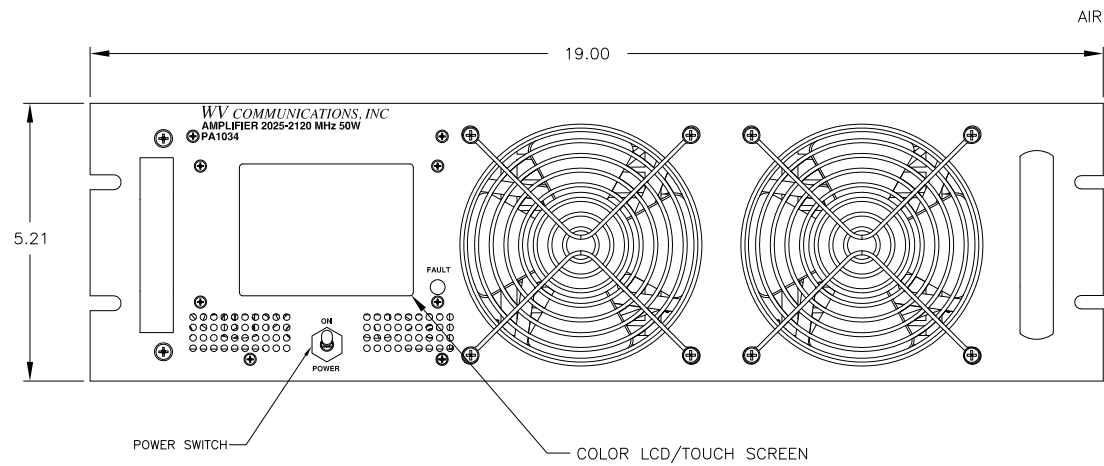


**** PROPRIETARY DATA ****
 THIS DOCUMENT CONTAINS DATA WHICH IS PROPRIETARY OR CONFIDENTIAL TO WV COMM (WV COMMUNICATIONS INCORPORATED). THIS DOCUMENT AND THE DATA CONTAINED HEREIN SHALL NOT BE USED, DUPLICATED, OR ALTERED WITHOUT THE EXPRESSED WRITTEN CONSENT OF WV COMM. ALL RIGHTS ARE RESERVED.

| REVISIONS | | | | |
|-----------|-----|-------------|----------|----------|
| ZONE | REV | DESCRIPTION | DATE | APPROVED |
| | A | RELEASED | 12/10/08 | JMO |



OPERATING FREQUENCY RANGES: 2025-2120MHz
RF OUTPUT POWER (COMBINED): 50W (+47dBm) Minimum @P1dB Comp point
GAIN: 47dB Minimum @ 1dB Comp
RF INPUT POWER: 0dBm Nominal
RF INPUT POWER W/O DAMAGE: +10dBm Maximum
SMALL SIGNAL GAIN FLATNESS: ±1dB Maximum into 1.25:1 Load VSWR
INPUT AND OUTPUT IMPEDANCE: 50Ω Nominal
INPUT VSWR: 2.0:1 Maximum
HARMONIC SIGNAL LEVELS: -30dBc Maximum
SPURIOUS SIGNAL LEVELS: -60dBc Maximum
LOCAL CONTROL: Via Color Touchscreen LCD Display
REMOTE CONTROL: Via RS-232C at 9.6-115KB,N,8,1, Ethernet UDP/IP (Both)
OPERATION MODES: Linear (VVA), Auto Level Control (ALC)
STANDARD FEATURES: Carrier STANDBY/ONLINE
 Units in dB or Watts
 Fault Indications
TEMPERATURE RANGES: Operating 0 to +50°C
COOLING REQUIRED: Forced air via integral Front Panel Intake and Rear Panel Exhaust Fans
OVERTEMPERATURE PROTECTION: Thermostat Shut-Off Indication at +85°C Drawer Heatsink Temperature
AC INPUT POWER AT PO 50W: 115/230 VAC at 450W Maximum

| Pin # | J4, RS232C Pin Designation |
|-------|----------------------------|
| 1 | NC |
| 2 | RX |
| 3 | TX |
| 4 | NC |
| 5 | GND |
| 6 | NC |
| 7 | NC |
| 8 | NC |
| 9 | NC |

| Pin # | J5 AUX Pin Designation |
|-------|------------------------|
| 1 | NC |
| 2 | NC |
| 3 | NC |
| 4 | NC |
| 5 | NC |
| 6 | NC |
| 7 | NC |
| 8 | NC |
| 9 | NC |
| 10 | NC |
| 11 | NC |
| 12 | NC |
| 13 | NC |
| 14 | NC |
| 15 | NC |
| 16 | NC |
| 17 | NC |
| 18 | NC |
| 19 | NC |
| 20 | NC |
| 21 | NC |
| 22 | NC |
| 23 | NC |
| 24 | NC |
| 25 | NC |

| Pin # | J6, Ethernet Pin Designation |
|-------|------------------------------|
| 1 | TX+ |
| 2 | TX- |
| 3 | RX+ |
| 4 | NC |
| 5 | NC |
| 6 | RX- |
| 7 | NC |
| 8 | NC |
| 9 | NC |

| Pin # | J3, AC IN Pin Designation |
|-------|---------------------------|
| A | Line |
| B | Neutral |
| C | GND |

UNLESS OTHERWISE SPECIFIED: DIMENSIONS ARE IN INCHES. TOLERANCES ARE:
 FRACTIONS DECIMALS ANGLES HOLES
 ± 1/64 .XX±.01 ±0°30' .XX±.005
 .XXX±.005 .XXX+.003
 MACHINED FINISH: 32 RMS REMOVE BURRS .005 MAX

| | |
|---------------|---------|
| 900-50255 | PA1034 |
| NEXT ASSEMBLY | USED ON |
| APPLICATION | |

DO NOT SCALE DRAWING

| APPROVALS | DATE |
|-----------------|----------|
| DRAWN TONY T. | 10/07/08 |
| CHECKED T.T. | 12/07/08 |
| MECH ENGR T.T. | 12/07/08 |
| ELEC ENGR U.Y. | 12/07/08 |
| PRODUCTION A.M. | 12/07/08 |
| Q.A. D.B. | 12/10/08 |

WV Communications 1176 Tourmaline Dr. Newbury Park, CA

AMPLIFIER
 2025-2120MHz 50W
 MODEL PA1034

| | | | |
|------------|-----------------|--------------------|-------|
| SIZE B | CAGE CODE 1GFQ7 | DWG. NO. 050-50709 | REV A |
| SCALE NONE | | SHEET 1 OF 1 | |