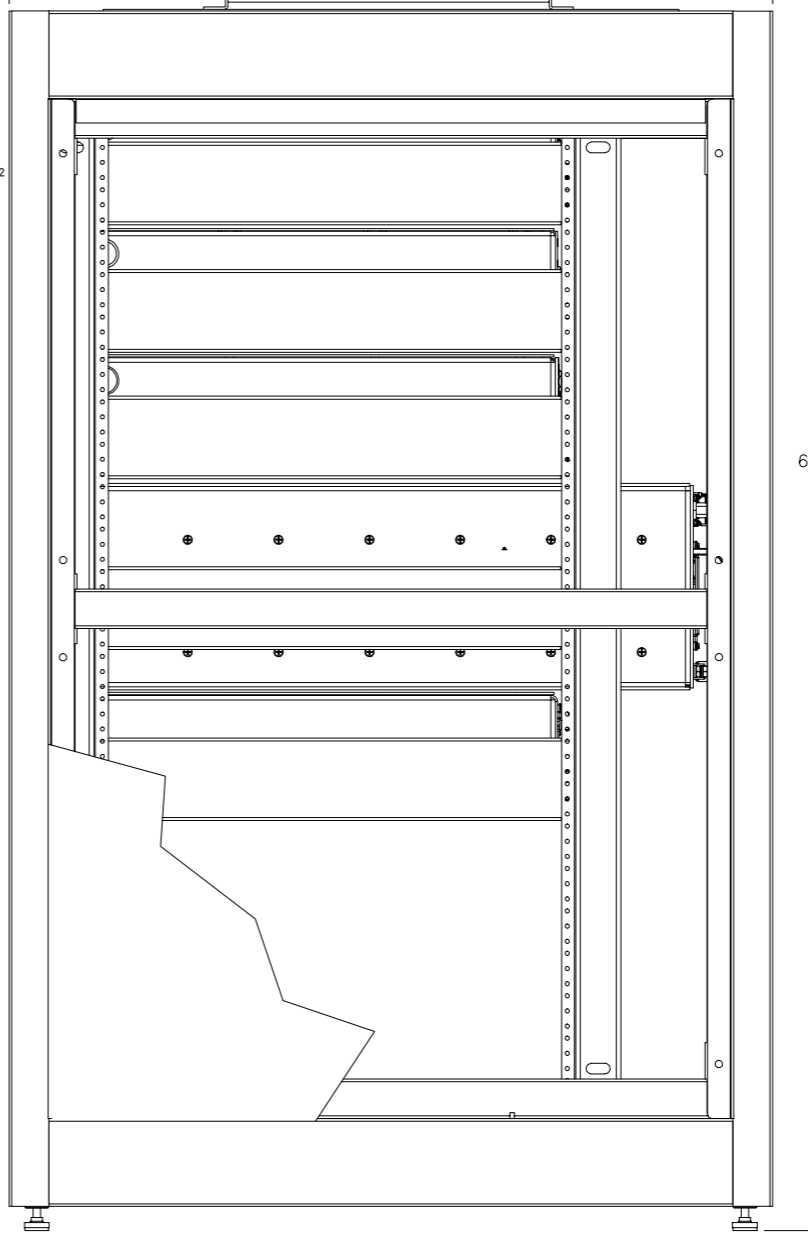
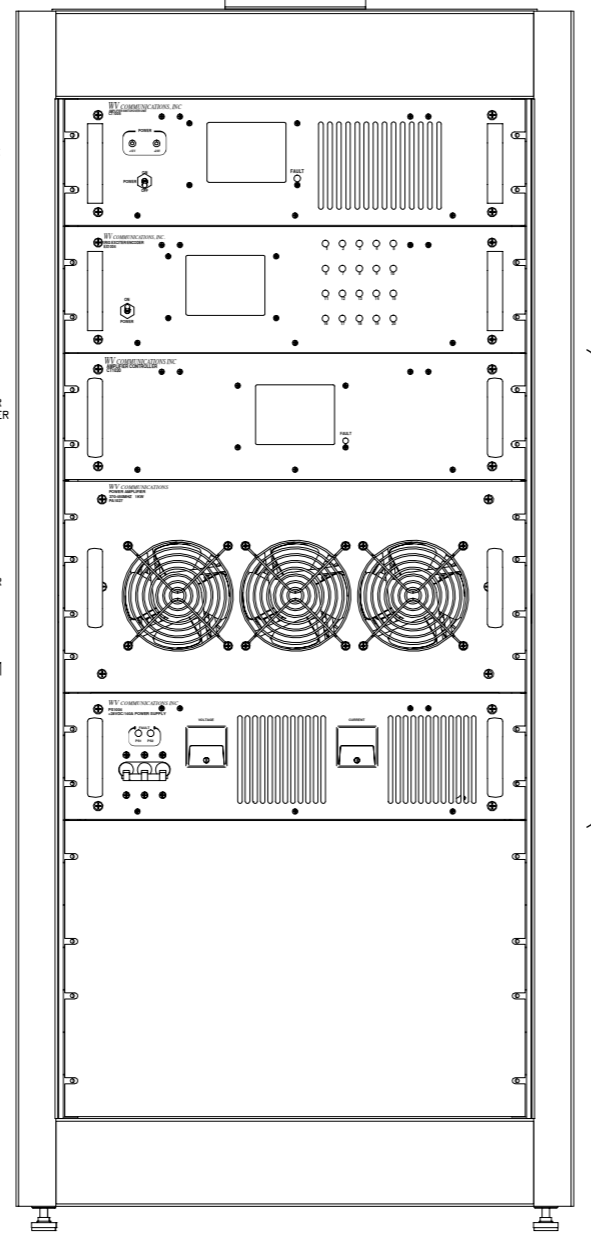
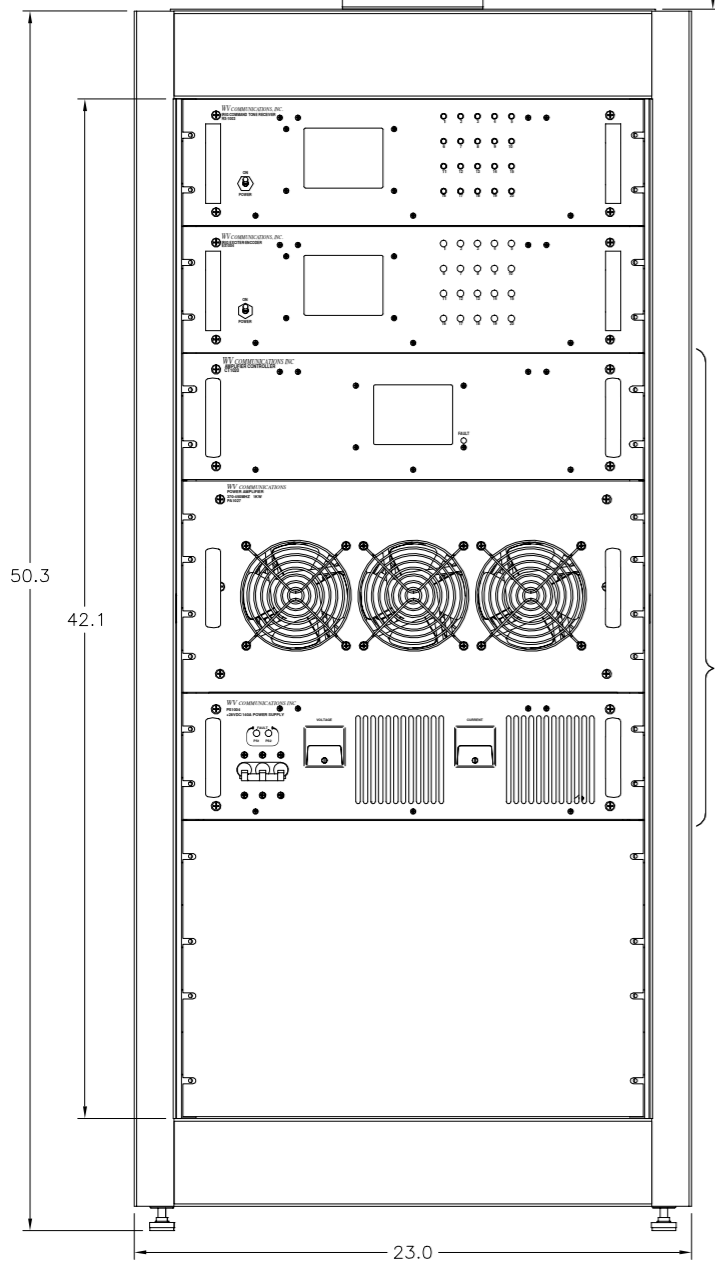
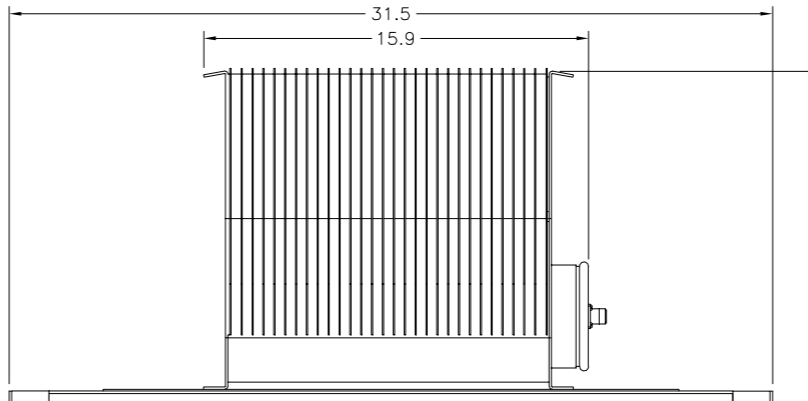
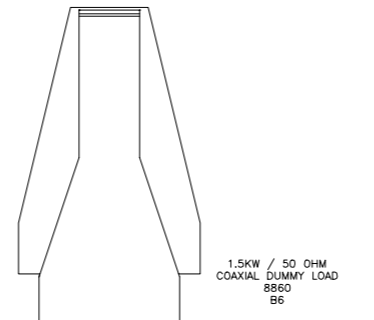
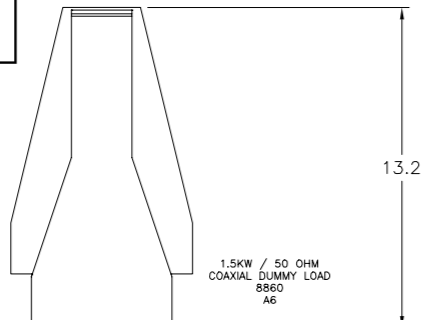


**\*\* PROPRIETARY DATA \*\***  
 THIS DOCUMENT CONTAINS DATA WHICH IS PROPRIETARY OR CONFIDENTIAL TO WV COMM (WV COMMUNICATIONS INCORPORATED). THIS DOCUMENT AND THE DATA CONTAINED HEREIN SHALL NOT BE USED, DUPLICATED, OR ALTERED WITHOUT THE EXPRESSED WRITTEN CONSENT OF WV COMM. ALL RIGHTS ARE RESERVED.

REVISIONS				
ZONE	REV	DESCRIPTION	DATE	APPROVED
	A	RELEASED	08/14/08	TT



RACK "A"

RACK "B"

UNLESS OTHERWISE SPECIFIED: DIMENSIONS ARE IN INCHES. TOLERANCES ARE:	APPROVALS	DATE
FRACTIONS DECIMALS ANGLES HOLES ± 1/64 .XXX±.01 ±0°30' .XX±.005	DRAWN TONY T.	08/14/08
MACHINED FINISH: 32 RMS REMOVE BURRS .005 MAX	CHECKED TONY T.	08/14/08
MATERIAL	MECH ENGR GG	08/14/08
FINISH	ELEC ENGR JT	08/14/08
900-50239 SYS1019	PRODUCTION AM	08/14/08
NEXT ASSEMBLY USED ON	Q.A. UY	08/14/08
APPLICATION		

**WV Communications** 1176 Tourmaline Dr.  
Newbury Park, CA

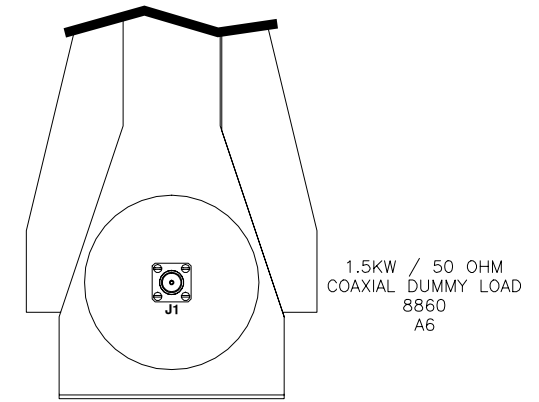
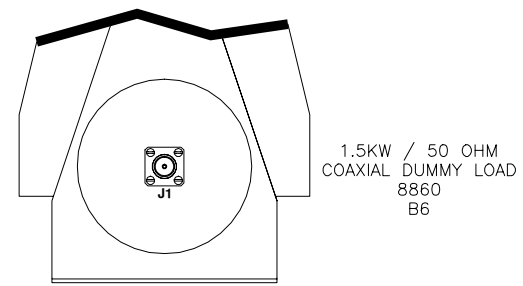
**AMPLIFIER SYSTEM, 1KW, 370-450 MHz,  
W/SWITCHOVER, DUAL-EXCITER & RECEIVER  
SYS1019**

SIZE D	CAGE CODE 1GFQ7	DWG. NO. 050-50678	REV A
SCALE NONE	SHEET 1 OF 2		

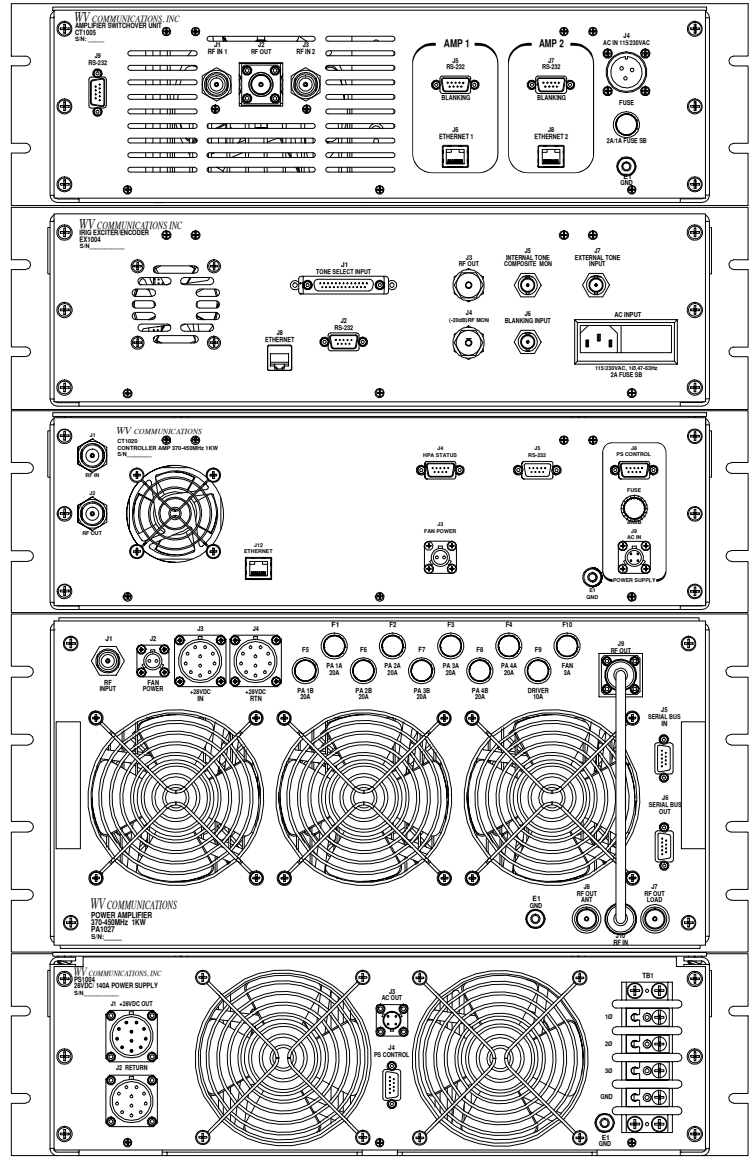
DWG NO. 050-50678 REV A

**\*\* PROPRIETARY DATA \*\***  
 THIS DOCUMENT CONTAINS DATA WHICH IS PROPRIETARY OR CONFIDENTIAL TO WV COMM (WV COMMUNICATIONS INCORPORATED). THIS DOCUMENT AND THE DATA CONTAINED HEREIN SHALL NOT BE USED, DUPLICATED, OR ALTERED WITHOUT THE EXPRESSED WRITTEN CONSENT OF WV COMM. ALL RIGHTS ARE RESERVED.

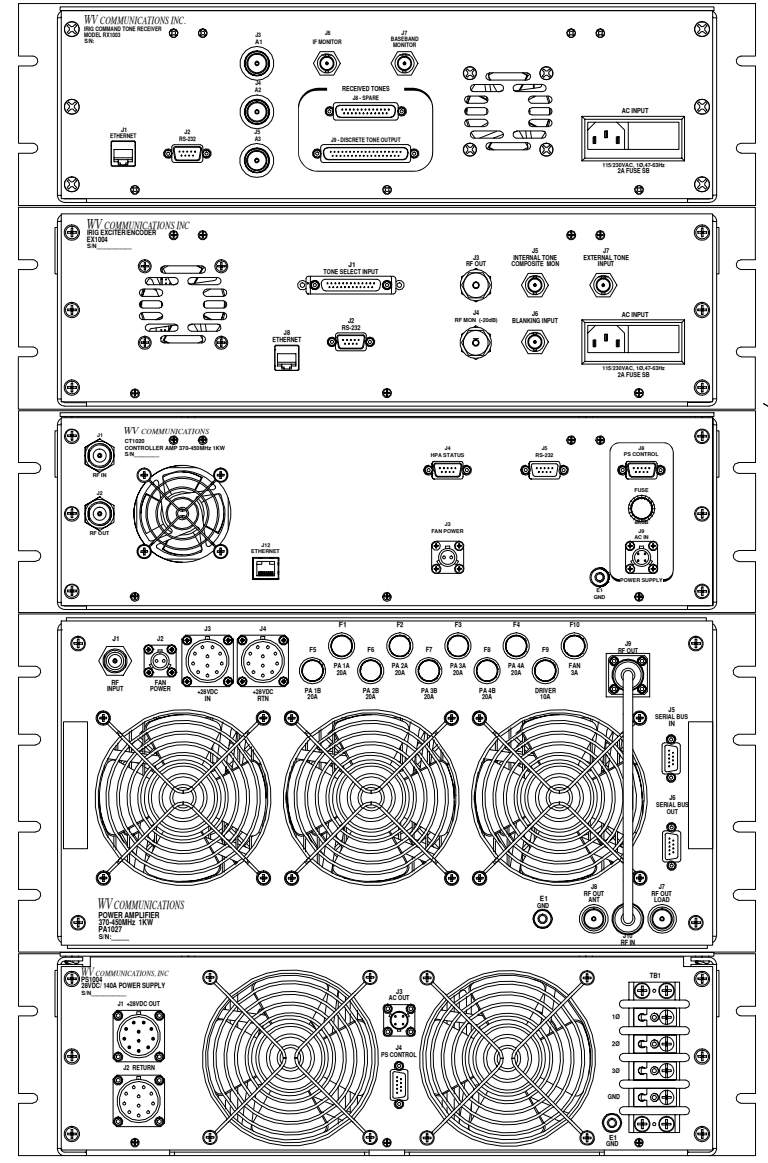
REVISIONS				
ZONE	REV	DESCRIPTION	DATE	APPROVED
		SEE SHEET 1		



REF DES	SIGNAL DESCRIPTION	FROM/TO	CBL P/N
CA1000	B6		
B6/J1	RF LOAD OUT	B6/J1 / B2/J7	CB-900-50239-B2.7
CT1005	B5		
B5/J1	RF IN 1	B5/J1 / A2/J8	CB-900-50239-B5.1
B5/J2	RF OUT	B5/J2 /	CUSTOMER CABLE
B5/J3	RF IN 2	B5/J3 / B2/J8	CB-50239-B5.2
B5/J4	AC IN 115/230 VAC	B5/J4 /	
B5/J5	RS-232	B5/J5 / A3/J5	
B5/J6	ETHERNET 1	B5/J6 /	
B5/J7	RS-232	B5/J7 / B3/J5	CB-900-50239-B5.7
B5/J8	ETHERNET 2	B5/J8 /	
B5/J9	RS-232	B5/J9 /	
B5E1	GND	B5E1/B3E1/B2E1/B1E1	CB-900-50239-B5E.1
EX1004	B4		
B4/J1			
B4/J2	RS-232	B4/J2 /	
B4/J3	RF OUT	B4/J3 / B3/J1	CB-900-50239-B4.3
B4/J4	RF MON (-20DB)	B4/J4 / A5/J5	
B4/J5	tone COMPOSITE MON	B4/J5 /	
B4/J6	BLANKING INPUT	B4/J6 /	
B4/J7	EXTERNAL TONE INPUT	B4/J7 /	
B4/J8	ETHERNET		CUSTOMER CABLE
B4/J9	AC INPUT	AC	CB-900-50239-B4.9
CT1020	B3		
B3/J1	RF INPUT	B3/J1 / B4/J3	
B3/J2	RF OUTPUT	B3/J2 / B2/J1	CB-900-50239-B3.2
B3/J3	FAN POWER	B3/J3 / B2/J2	CB-900-50239-B3.3
B3/J4	HPA STATUS	B3/J4 / B2/J5	CB-900-50239-B3.4
B3/J5	RS-232	B3/J5 / B5/J7	CB-900-50239-B3.5
B3/J8	PS CONTROL	B3/J8 / B1/J4	CB-900-50239-B3.8
B3/J9	AC IN	B3/J9 / B1/J3	CB-900-50239-B3.9
B3/J2	ETHERNET		CUSTOMER CABLE
B3E1	GND	B3E1/B5E1/B2E1/B1E1	CB-900-50239-B3E.1
PA1027	B2		
B2/J1	RF INPUT	B2/J1 / B3/J2	
B2/J2	FAN POWER	B2/J2 / B3/J3	
B2/J3	+28VDC IN	B2/J3 / B1/J1	CB-900-50239-B2.3
B2/J4	+28VDC RETURN	B2/J4 / B1/J2	CB-900-50239-B2.4
B2/J5	SERIAL BUS IN	B2/J5 / B3/J4	
B2/J6	SERIAL BUS OUT	A2/J6 /	TERMINATE
B2/J7	RF LOAD OUT	B2/J7 / B6/J1	CB-900-50239-B2.7
B2/J8	RF OUT ANT	B2/J8 / B5/J3	
B2E1	GND	B2E1/B1E1/B3E1/B5E1	CB-900-50239-B2E.1
PS1004	B1		
B1/J1	+28VDC OUT	B1/J1 / B2/J3	
B1/J2	RETURN	B1/J2 / B2/J4	
B1/J3	AC OUT	B1/J3 / B3/J9	
B1/J4	PS CONTROL	B1/J4 / B3/J8	
B1TB1	AC IN	B1TB1 WIRE	AC POWER CABLE
B1E1	GND	B1E1/B2E1/B3E1/B5E1	



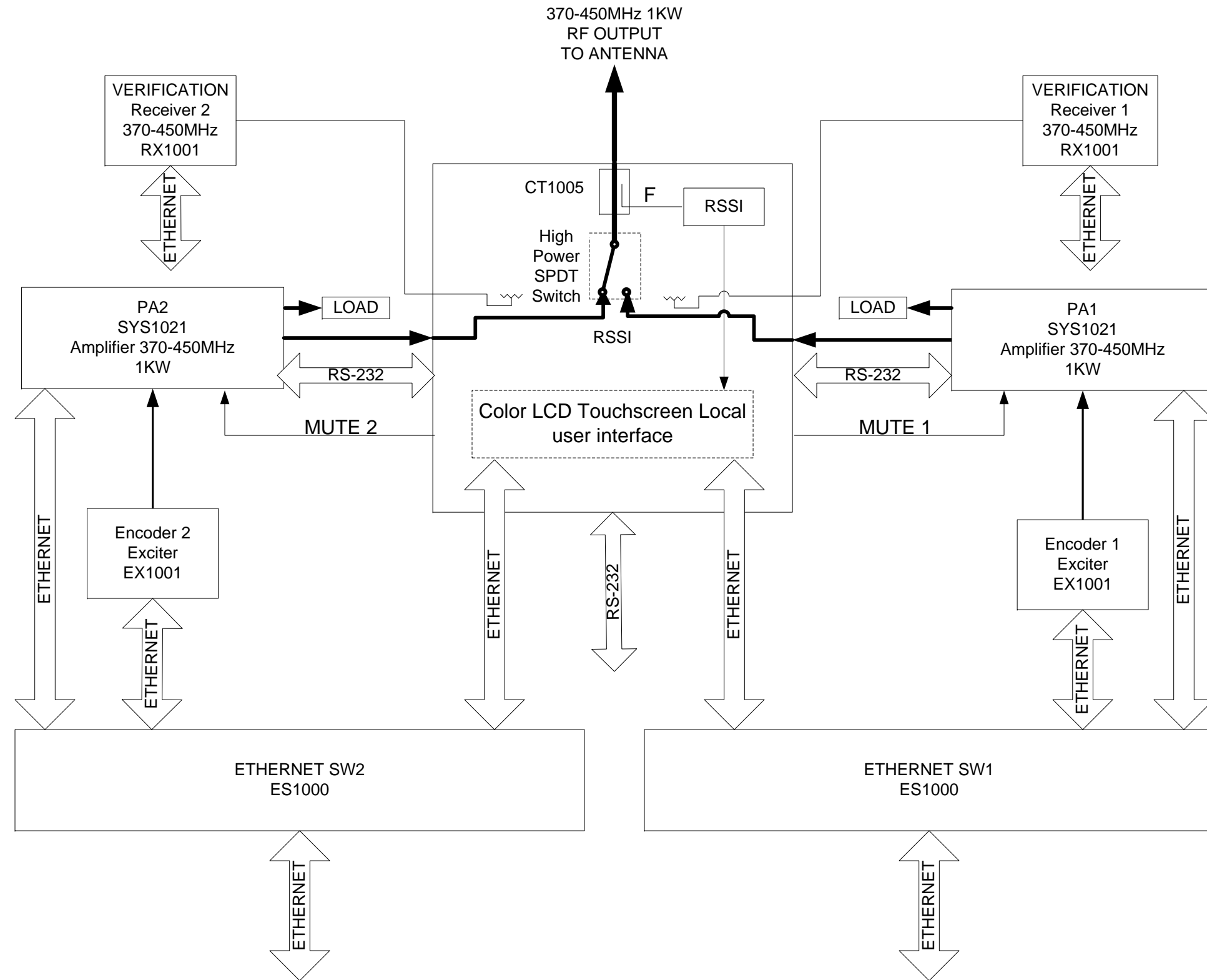
RACK "B"



RACK "A"

REF DES	SIGNAL DESCRIPTION	FROM/TO	CBL P/N
CA1000	A6		
A6/J1	RF LOAD OUT	A6/J1 / A2/J7	CB-900-50239-A2.7
RX1003	A5		
A5/J1	ETHERNET	A5/J1 /	CUSTOMER CABLE
A5/J2	RS-232	A5/J2 /	
A5/J3	A1	A5/J3 /	
A5/J4	A2	A5/J4 / A4/J4	CB-900-50239-A5.4
A5/J5	A3	A5/J5 / B4/J4	CB-900-50239-A5.5
A5/J6	IF MONITOR	A5/J6 /	
A5/J7	BASEBAND MONITOR	A5/J7 /	
A5/J8	SPARE		
A5/J9			
A5/J10	AC INPUT	AC	CB-900-50239-A5.10
EX1004	A4		
A4/J1			
A4/J2	RS-232	A4/J2 /	
A4/J3	RF OUT	A4/J3 / A3/J1	CB-900-50239-A4.3
A4/J4	RF MON (-20DB)	A4/J4 / A5/J4	
A4/J5	tone COMPOSITE MON	A4/J5 /	
A4/J6	BLANKING INPUT	A4/J6 /	
A4/J7	EXTERNAL TONE INPUT	A4/J7 /	
A4/J8	ETHERNET	A4/J8 /	CUSTOMER CABLE
A4/J9	AC INPUT	AC	CB-900-50239-A4.9
CT1020	A3		
A3/J1	RF INPUT	A3/J1 /	
A3/J2	RF OUTPUT	A3/J2 / A2/J1	CB-900-50239-A3.2
A3/J3	FAN POWER	A3/J3 / A2/J2	CB-900-50239-A3.3
A3/J4	HPA STATUS	A3/J4 / A2/J5	CB-900-50239-A3.4
A3/J5	RS-232	A3/J5 /	CB-900-50239-A3.5
A3/J8	PS CONTROL	A3/J8 / A1/J4	CB-900-50239-A3.8
A3/J9	AC IN	A3/J9 / A1/J3	CB-900-50239-A3.9
A3/J2	ETHERNET		CUSTOMER CABLE
A3E1	GND	A1E1/A2E1/A3E1	CB-900-50239-A3E.1
PA1027	A2		
A2/J1	RF INPUT	A2/J1 / A3/J2	
A2/J2	FAN POWER	A2/J2 / A3/J3	
A2/J3	+28VDC IN	A2/J3 / A1/J1	CB-900-50239-A2.3
A2/J4	+28VDC RTN	A2/J4 / A1/J2	CB-900-50239-A2.4
A2/J5	SERIAL BUS IN	A2/J5 / A3/J4	
A2/J6	SERIAL BUS OUT	A2/J6 /	TERMINATE
A2/J7	RF LOAD	A2/J7 / A6/J1	CB-900-50239-A2.7
A2/J8	RF OUT ANT	A2/J8 / B5/J1	
A2E1	GND	A1E1/A2E1/A3E1	CB-900-50239-A2E.1
PS1004	A1		
A1/J1	+28VDC OUT	A1/J1 / A2/J3	
A1/J2	RETURN	A1/J2 / A2/J4	
A1/J3	AC OUT	A1/J3 / A3/J9	
A1/J4	PS CONTROL	A1/J4 / A3/J8	
A1TB1	AC IN	A1TB1 WIRE	AC POWER CABLE
A1E1	GND	A1E1/A2E1/A3E1	

DWG NO. 050-50678 REV A



		1176 Tourmaline Drive Newbury Park, CA. 91320	
<b>REDUNDANT AMPLIFIER SWITCHOVER SYSTEM                  BLOCK DIAGRAM 370-450MHz 1KW</b>			
Size	Code Ident	Drawing No	
B	1GFQ7		CT1005