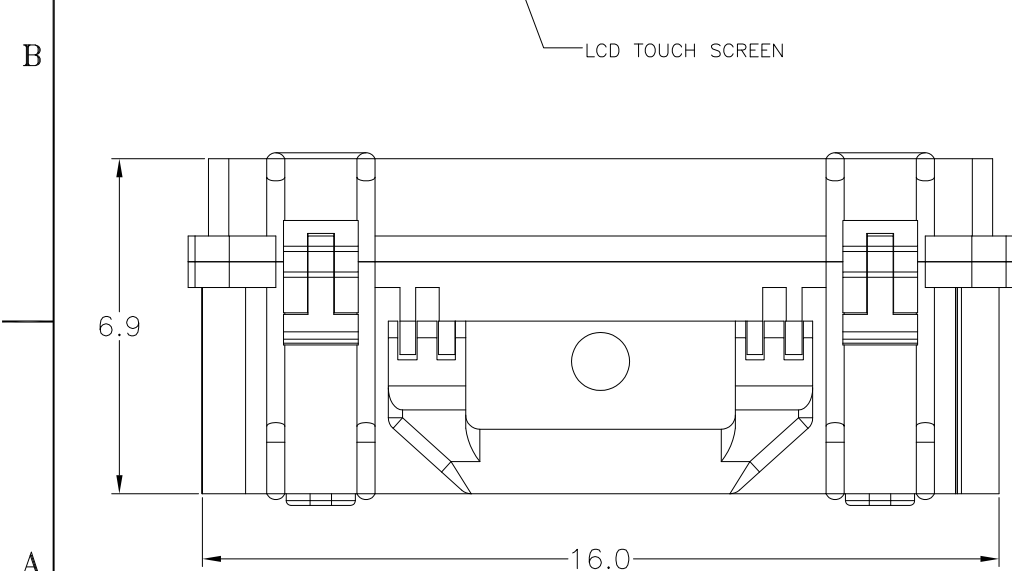
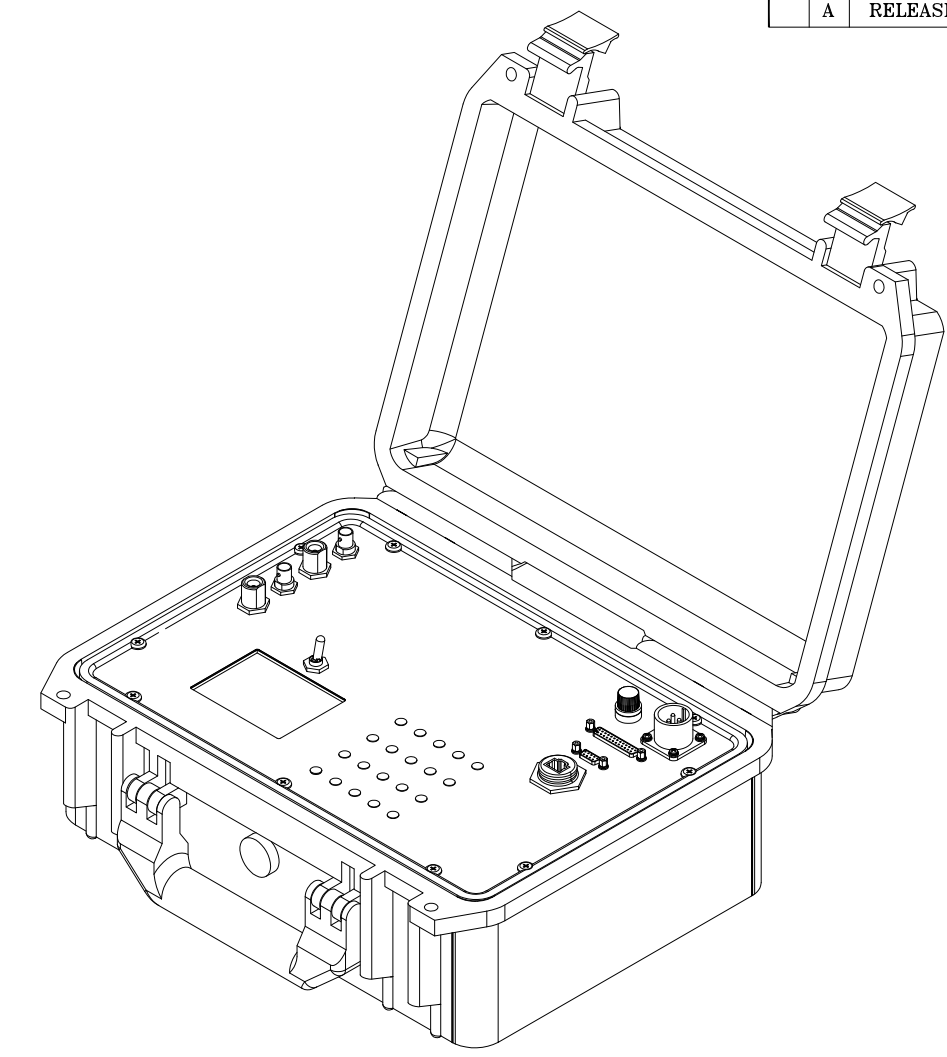
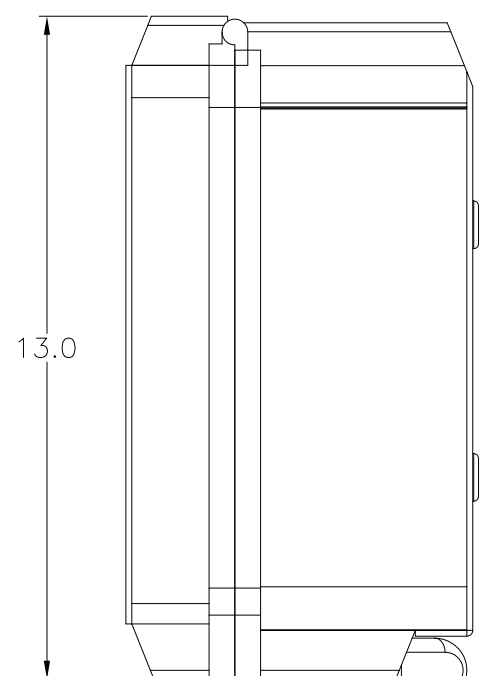
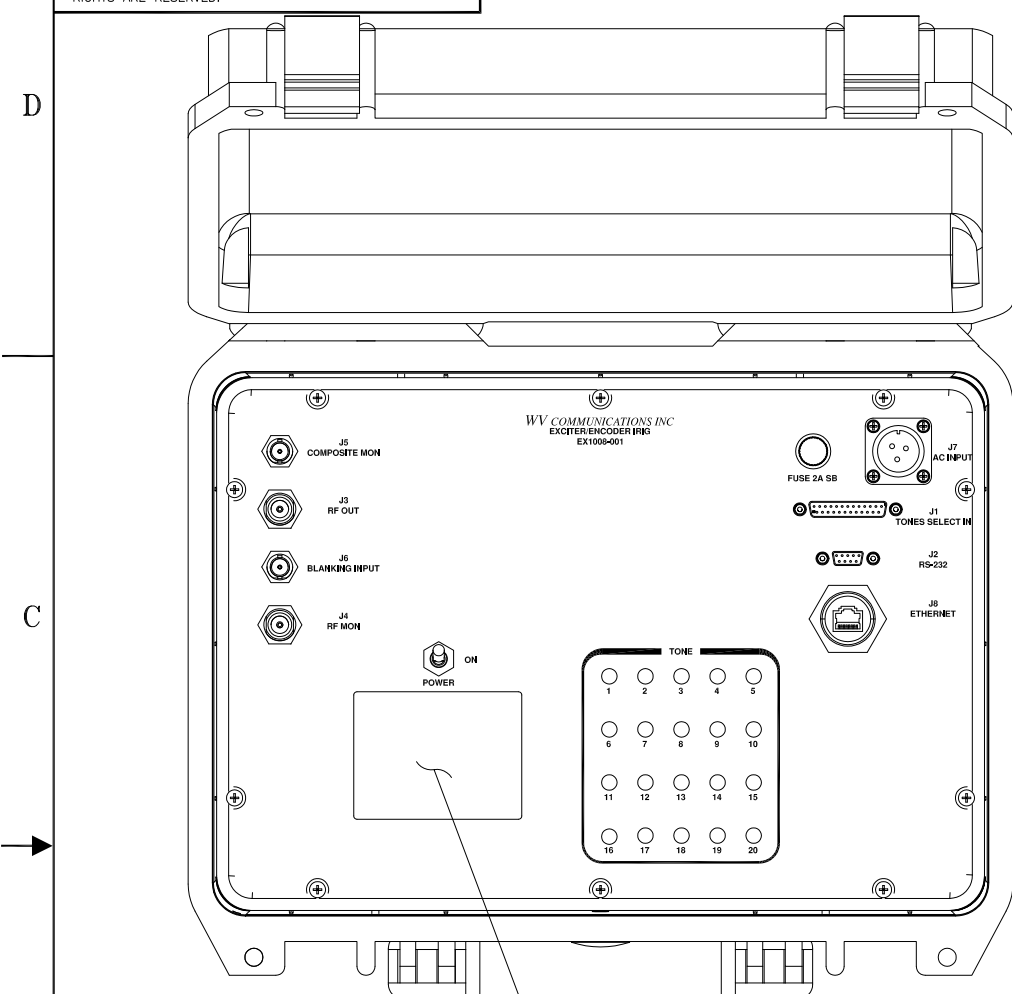


**** PROPRIETARY DATA ****
 THIS DOCUMENT CONTAINS DATA WHICH IS PROPRIETARY OR CONFIDENTIAL TO WV COMM (WV COMMUNICATIONS INCORPORATED). THIS DOCUMENT AND THE DATA CONTAINED HEREIN SHALL NOT BE USED, DUPLICATED, OR ALTERED WITHOUT THE EXPRESSED WRITTEN CONSENT OF WV COMM. ALL RIGHTS ARE RESERVED.

REVISIONS				
ZONE	REV	DESCRIPTION	DATE	APPROVED
A		RELEASE	7/22/2011	TT



EXCITER
CARRIER FREQUENCY: 370.0 to 450.0MHz
CARRIER FREQUENCY STEPS: 100.0KHz Steps
CARRIER STABILITY: ±0.0005% (±5ppm) Maximum
OUTPUT POWER RANGE: 0 to -127dBm in 1dB Steps
FM MODULATION RESPONSE: ±0.5dB Maximum over 5-75KHz
DEVIATION LEVEL: 30KHz per Tone Nominal
DEVIATION LEVEL ADJUST: Set for 0-40KHz Pk Deviation (Nominal 30KHz per Tone) Selectable via Front Panel or Remote
HARMONIC DISTORTION: 1% Maximum

ENCODER
NUMBER OF IRIG TONES: 20 Tones
STONE FREQUENCY STABILITY: 0.01% Maximum
STONE ACTIVATION INPUT: LOCAL or Ethernet UDP/IP or RS-232
OUTPUT AMPLITUDE VARIATION: 15% Maximum
OUTPUT DISTORTION: 1% Maximum with any Tone Enabled
STONE MONITOR OUTPUT: 1V Pk-Pk/30KHz Deviation/50Ω Load Nominal
STONE OUTPUT SIGNAL DELAY: 5mSec Maximum from Application of Tone Command to Stable Output within 0.01%
TURN ON STABILITY: Frequency Stable within 0.1% after 1 second
STONE FREQUENCIES: See Table
LED STONE MONITOR: Front Panel 20ea LEDs indicate active Tones
LOCAL STONE ACTIVATION: Via Front Panel Color LCD Touchscreen
REMOTE STONE ACTIVATION: Via ETHERNET UDP/IP Interface or RS-232
BLANKING INPUT: 0V=RF On, +5V=RF Off (Blanking on)

REMOTE OPERATION Protocol: Ethernet UDP/IP
 Serial RS-232C 9.6-115.2K 8,N,1
 Frequency, Deviation, RF Output Power 0 to +50°C
MAIN SET & QUERY FUNCTIONS: 115/230VAC Auto Switch at 2.0 Amps Max
OPERATING TEMPERATURE: Single Phase, 47-63Hz
INPUT AC POWER: BLACK FED-STD-595 #27038
FRONT PANEL COLOR: 12LBs Maximum
WEIGHT:

TONE/FREQUENCY TABLE			
TONE	IRIG FREQUENCY (KHz)	TONE	IRIG FREQUENCY (KHz)
1	7.50	11	25.01
2	8.46	12	28.21
3	9.54	13	31.83
4	10.76	14	35.90
5	12.14	15	40.49
6	13.70	16	45.68
7	15.45	17	51.52
8	17.43	18	58.12
9	19.66	19	65.56
10	22.17	20	73.95

J1 TONES SELECT IN (optional) 25 PIN D-SUB			
PIN NO.	PIN NAME	PIN NO.	PIN NAME
1	N/C	14	N/C
2	N/C	15	N/C
3	N/C	16	N/C
4	N/C	17	N/C
5	N/C	18	N/C
6	N/C	19	N/C
7	N/C	20	N/C
8	N/C	21	N/C
9	N/C	22	N/C
10	N/C	23	N/C
11	N/C	24	N/C
12	N/C	25	N/C
13	N/C		

J2 RS-232C 9 PIN D-SUB	
PIN NO.	PIN NAME
1	N/C
2	RX
3	TX
4	N/C
5	GND
6	N/C
7	N/C
8	N/C
9	N/C

J3 RF OUT N FEMALE	

J4 RF MON N FEMALE	

J5 COMPOSITE MON BNC FEMALE	

J6 BLANKING INPUT BNC FEMALE	

J7 AC INPUT MS3102E16-10	
PIN NO.	PIN NAME
1	LINE
2	NEUTRAL
3	GROUND

J8 ETHERNET RJ45	
PIN NO.	PIN NAME
1	TX+
2	TX-
3	RX+
4	N/C
5	N/C
6	RX-
7	N/C
8	N/C

APPROVALS		DATE
DRAWN	TONY T.	7/22/2011
CHECKED	D. BERRYMAN	07/22/11
MECH ENGR	T. TERRANOVA	07/22/11
ELEC ENGR	J. TRANOVIH	07/22/11
PRODUCTION	A. MEDINA	07/22/11
Q.A.	W. OKAZAKI	07/22/11

WV Communications 1176 Tourmaline Dr. Newbury Park, CA

IRIG EXCITER ENCODER
 370-450MHz 100KHz STEPS -127dBm Range
 MODEL: EX1008-001

SIZE	CAGE CODE	DWG. NO.	REV
D	1GFQ7	050-50584-001	A

SCALE NONE SHEET 1 OF 1

050-50584-001 REV. C. 06/08