

WV Communications



Model PA1105 – 1200W Dual L-Band Pulsed Power Amplifier w/ TR Switch Assembly

DESCRIPTION

WV Communications' model PA1105; Dual L-Band Pulsed Power Amplifier w/ TR Switch consists of two completely independent 1200 Watt (P1dB) pulsed power amplifiers with internal isolators, separate T/R switches, output filters and output couplers. The unit also includes a DC-DC converter, an FPGA and high speed A/D converters, providing internal monitoring of the input, output and reflected RF pulses, on a pulse-to-pulse basis. The amplifier supports all current IFF modes of operation, including Mode S, and has a maximum duty cycle that is dependent on the output power. The unit has a maximum duty cycle of 2.1% at the full rated output power level, while the maximum duty cycle is 4.2% at 600 Watts peak output power. The amplifier has internal protections from excessive duty cycle and excessive pulse widths. Both amplifier channels can be operated in a constant gain mode or in a constant output power mode (ALC), with gain adjustments occurring automatically using the internal programmable attenuator. Monitor & Control is provided via a High Speed serial bus and USB bus.

See block diagram of the amplifier on the backside of this brochure.

SPECIFICATIONS

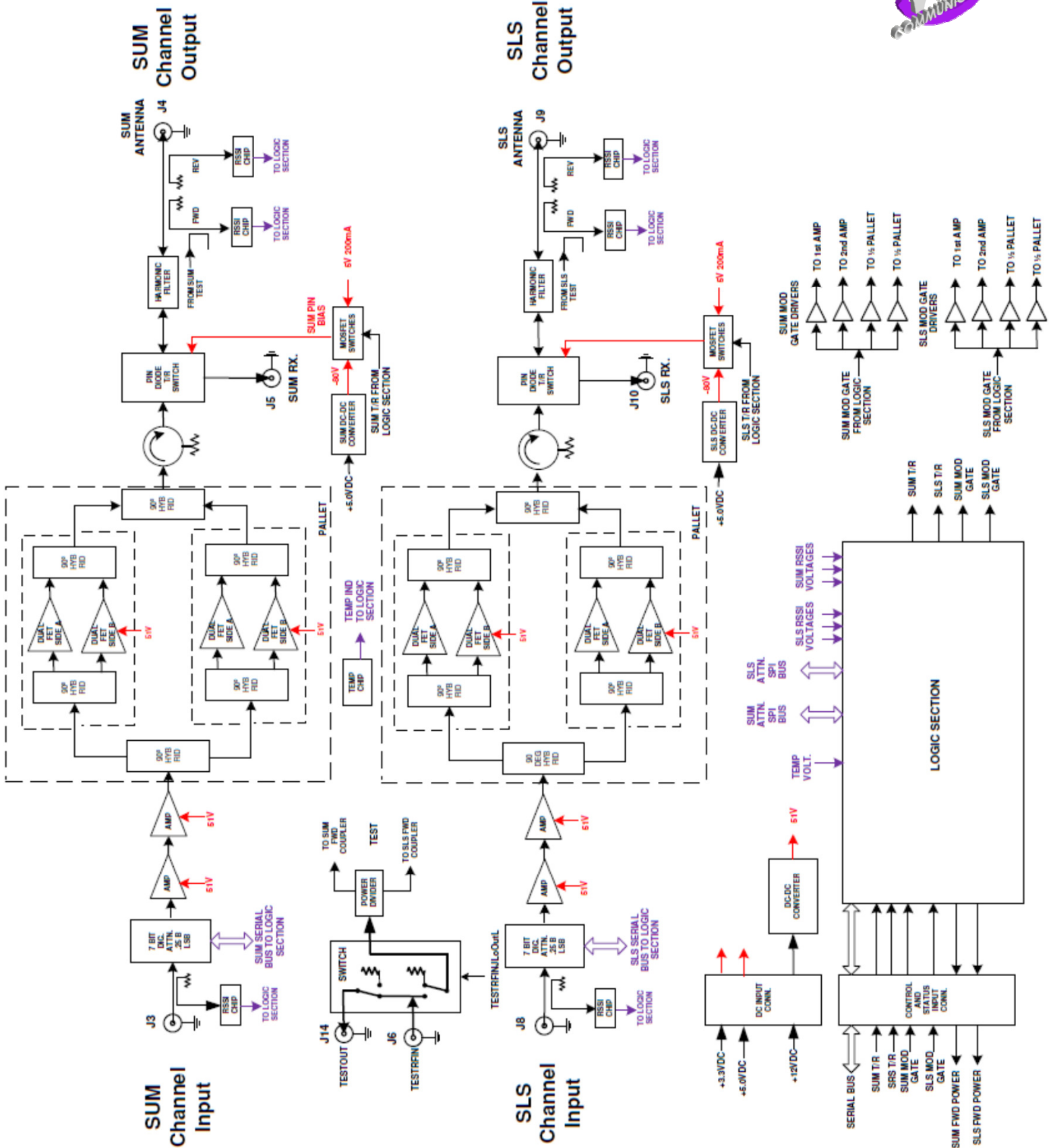
Operating Frequency Range:	1030-1090MHz
Operational Mode:	Class AB (Supports all IFF operation modes including Mode S & Mode 5)
RF Input Power:	-20 to +11dBm
RF Input VSWR:	1.3:1 Maximum
RF Input Modulation:	RF Pulse arbitrary Phase Modulation 15MHz at 3dB Maximum, AM at 30dB Maximum
RF Output Power Range:	1030MHz +48.9 to +60.8dBm (P1dB) Minimum
RF Output Pulse Width:	30.25µS Maximum
RF Output VSWR:	1.5:1 Maximum (Ref 50Ω)
RF Output:	Will operate into 10:1 VSWR without damage (protected by output Isolator)
Small Signal Gain & Flatness:	55.8±1.5dB Maximum into 1.5:1 VSWR
Input and Output Impedance:	50Ω Nominal
Harmonic Signal Levels:	2 nd : -80dBc Maximum 3 rd : -80dBc Maximum 4 th -12 th : -100dBc Maximum Key Down: -80dBc Maximum Key Up: -73dBc Maximum
Cooling:	Forced air via exterior cooling fins
Fault Indications/Protection:	Super Long Term Duty, Long Term Duty, Short Term Duty, Excessive Pulse Width, Thermal Fault, VSWR Fault, ModGateL, ModGateL Width
Temperature:	Operating: -40 to +55°C Storage: -55 to +71°C
Humidity:	Operating: 10 - 90% (Non-Condensing) Storage: 5 - 95% (Non-Condensing)
Altitude:	MSL to 15,000 Ft
Input Power:	5 Vdc @ 1.5 Amp Maximum 12 Vdc @ 10 Amp Maximum



1125A Business Center Cr, Newbury Park, CA 91320 - (805) 376-1820 - FAX (805) 376-1840 – www.wv-comm.com

This Brochure has been released into the Public Domain in accordance with International Traffic in Arms Regulations (ITAR) 22 CFR 120.11 (b)

WV Communications



1125A Business Center Cr, Newbury Park, CA 91320 - (805) 376-1820 - FAX (805) 376-1840 - www.wv-comm.com