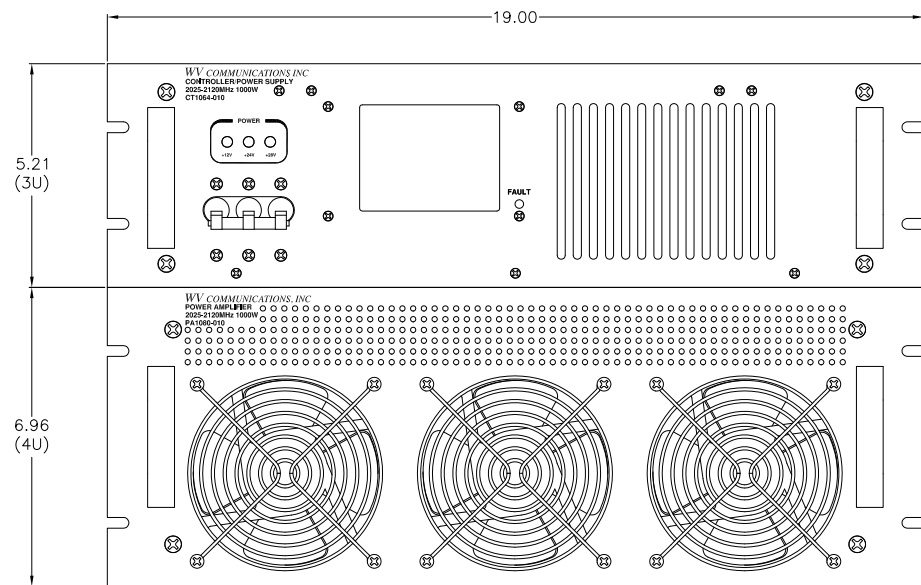


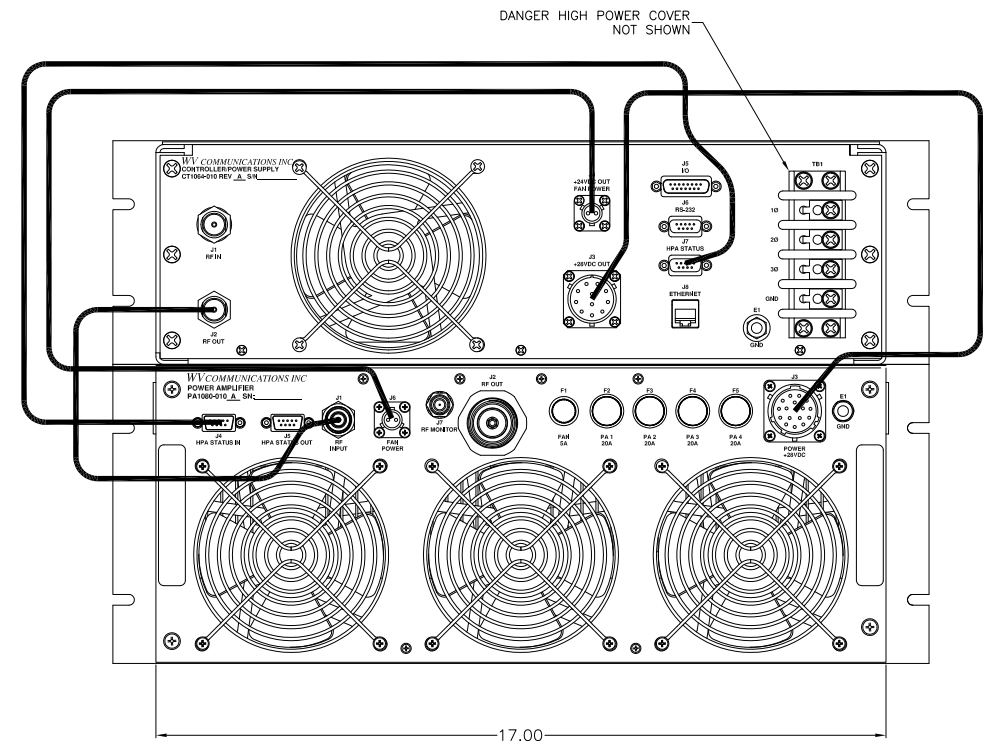
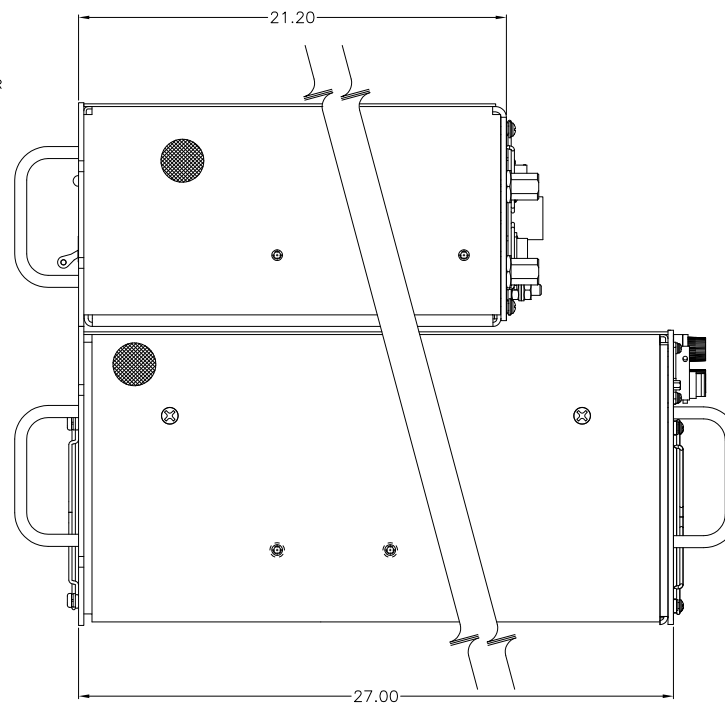
**** PROPRIETARY DATA ****
 THIS DOCUMENT CONTAINS DATA WHICH IS PROPRIETARY OR CONFIDENTIAL TO WV COMM (WV COMMUNICATIONS INCORPORATED). THIS DOCUMENT AND THE DATA CONTAINED HEREIN SHALL NOT BE USED, DUPLICATED, OR ALTERED WITHOUT THE EXPRESSED WRITTEN CONSENT OF WV COMM. ALL RIGHTS ARE RESERVED.

REVISIONS				
ZONE	REV	DESCRIPTION	DATE	APPROVED
A		RELEASED	11/05/14	TT



POWER SUPPLY/CONTROLLER
 2025-2120 500W
 050-50958 - CT1064-005

POWER AMPLIFIER
 2025-2120 500W
 050-50957 - PA1080-005



SPECIFICATIONS SUMMARY

OPERATING FREQUENCY RANGES: 2025-2120MHz
RF OUTPUT POWER: 1,000W Minimum at P1dB Compression Pt
RF OUTPUT PROTECTION: Integral Output protected No Oscillation at any Phase Angle at any Load Impedance & Phase Angle
RF INPUT POWER: 0dBm±3dB Range Nominal
MAXIMUM RF INPUT POWER: +10dBm Maximum W/O Damage
RF OUTPUT GAIN FLATNESS: ±1.5dB Maximum over 2025-2120MHz, ±0.25dB Maximum over any 4MHz Band in the 2025-2120MHz Range Into 1.3:1 VSWR (Ref 50Ω)
RESIDUAL AM: 50dBc Maximum
RESIDUAL PHASE NOISE: 2° RMS Maximum at 500Hz to 1MHz offset
INPUT AND OUTPUT IMPEDANCE: 50Ω Nominal
INPUT / OUTPUT VSWR: 2.0:1 Maximum (Ref 50Ω)
NOISE: -180cBc/Hz Maximum over 2200-2300MHz
SPURIOUS & HARMONICS LEVELS: -145cBc Maximum over 2200-2300MHz, -55dBc Maximum in 2025-2120MHz, -25dBc Maximum below 2025MHz & above 2300MHz
RF OUTPUT CONNECTOR: 7-16 DIN Female
OPERATION MODE: Class 'AB' Linear
OUTPUT POWER CONTROL: 25dB Range Minimum
OUTPUT POWER CONTROL STEP: 0.1dB Nominal
DRAWER COOLING: Forced air via integral Front Panel Intake and Rear Panel Exhaust Fans
OVER TEMPERATURE PROTECTION: Thermostat Shut-Off Indication at +77°C Heatsink Temperature
MONITORING & CONTROL: Local: Via Front Panel Color LCD Touchscreen, Remote: Via Ethernet UDP Protocol/RS-232
MTBF: 10,000 Hours Nominal
MTRR: 1.25 Hours Nominal
TEMPERATURE RANGES: Operating 0 to +50°C
ALTITUDE: MSL to 10,000 Ft
HUMIDITY: 0 to 95% Non-Condensing
DRAWERS CHASSIS DEPTH: 27" Maximum
AC INPUT POWER: 180-264VAC, 47-63Hz Three (3) Phase at 2.75kW Maximum (2.3kW Typical at 500W RF Output Power)
FRONT PANEL COLOR: GRAY per MIL-STD-595 26307

UNLESS OTHERWISE SPECIFIED: DIMENSIONS ARE IN INCHES. TOLERANCES ARE:
 FRACTIONS DECIMALS ANGLES HOLES
 ± 1/64 .XXX.01 ±0°30' .XXX.005
 .XXX.005 .XXX.003 .XXX.001
 MACHINED FINISH: 32 RMS REMOVE BURRS .005 MAX

APP	DATE	DESCRIPTION
900-XXXX	SYS1044-XXXX	
900-XXXX	SYS1041-010	
NEXT ASSEMBLY	USED ON	
APPLICATION	DO NOT SCALE DRAWING	

APPROVALS	DATE
DRAWN TONY T.	11/5/2014
CHECKED TT	11/05/14
MECH ENGR TT	11/05/14
ELEC ENGR JT	11/05/14
PRODUCTION AM	11/05/14
Q.A. SH	11/05/14

WV Communications 1125 A Business Center Circle
 Newbury Park, CA

AMPLIFIER SYSTEM
 2025-2120MHz 1,000W
 MODEL: SYS1041-010

SIZE	CAGE CODE	DWG. NO.	REV
D	1GFQ7	050-51043	A

SCALE NONE SHEET 1 OF 1

REV A
 DWG NO. 050-51043
 DC-PHSM-0011-3, REV C, 06/08