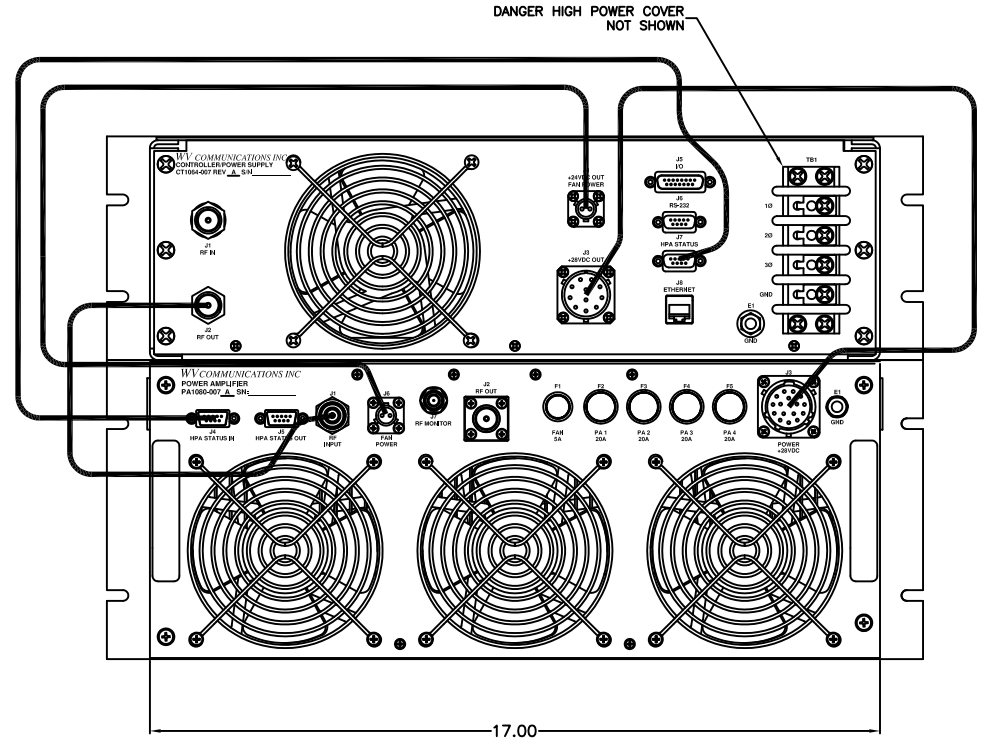
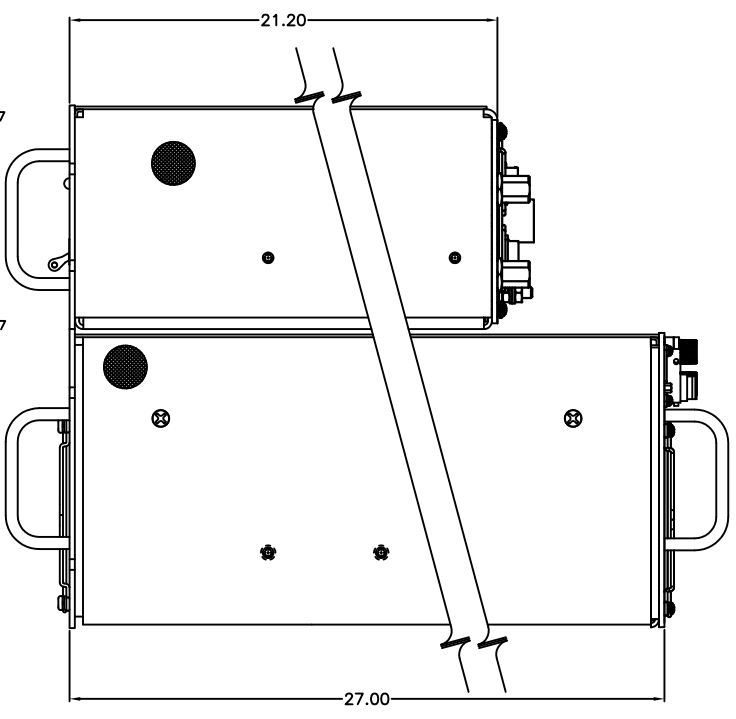
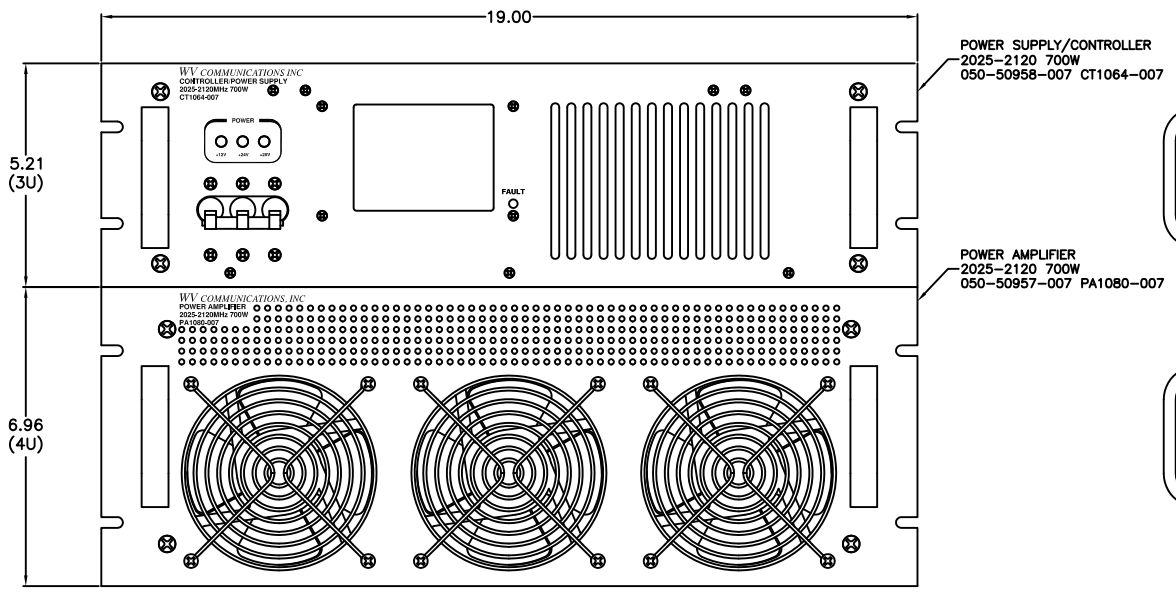


**** PROPRIETARY DATA ****
 THIS DOCUMENT CONTAINS DATA WHICH IS PROPRIETARY OR CONFIDENTIAL TO WV COMM (WV COMMUNICATIONS INCORPORATED). THIS DOCUMENT AND THE DATA CONTAINED HEREIN SHALL NOT BE USED, DUPLICATED, OR ALTERED WITHOUT THE EXPRESSED WRITTEN CONSENT OF WV COMM. ALL RIGHTS ARE RESERVED.

REVISIONS				
ZONE	REV	DESCRIPTION	DATE	APPROVED
A		RELEASED	10/08/15	TT

D

D



C

C

B

B

SPECIFICATIONS SUMMARY

OPERATING FREQUENCY RANGES: 2025-2120MHz
RF OUTPUT POWER: 700W Minimum at 1dB Compression
RF OUTPUT PROTECTION: Integral Output protected No Oscillation at any Phase Angle at any Load Impedance & Phase Angle
RF INPUT POWER: 0dBm±3dB Range Nominal
MAXIMUM RF INPUT POWER: +10dBm Maximum W/O Damage
RF OUTPUT POWER GAIN FLATNESS: ±2dB Maximum over 2025-2120MHz Into 1.3:1 VSWR (Ref 50Ω)
 ±0.25dB Maximum over any 4MHz Band in the 2025-2120MHz Range Into 1.3:1 VSWR
RESIDUAL AM: 50dBc Maximum
RESIDUAL PHASE NOISE: 2° RMS Maximum at 700Hz to 1MHz offset
INPUT AND OUTPUT IMPEDANCE: 50Ω Nominal
INPUT / OUTPUT VSWR: 2.0:1 Maximum (Ref 50Ω)
NOISE: -180dBc/Hz Maximum over 2200-2300MHz
SPURIOUS & HARMONICS LEVELS: -145dBc Maximum over 2200-2300MHz
 -55dBc Maximum in 2025-2120MHz
 -85dBc Maximum below 2025MHz & above 2300MHz
RF OUTPUT CONNECTOR: High Power 'N' Female
OPERATION MODE: Class 'AB' Linear
OUTPUT POWER CONTROL: 25dB Range Minimum
OUTPUT POWER CONTROL STEP: 0.1dB Nominal
DRAWER COOLING: Forced air via integral Front Panel Intake and Rear Panel Exhaust Fans
OVER TEMPERATURE PROTECTION: Thermostat Shut-Off Indication at +77°C Heatsink Temperature
MONITORING & CONTROL: Local: Via Front Panel Color LCD Touchscreen
 Remote: Via Ethernet UDP Protocol/RS-232
MTBF: 10,000 Hours Nominal
MTRR: 1.25 Hours Nominal
TEMPERATURE RANGES: Operating 0 to +50°C
ALTITUDE: MSL to 10,000 Ft
HUMIDITY: 0 to 95% Non-Condensing
DRAWERS CHASSIS DEPTH: 27" Maximum
AC INPUT POWER: 180-264VAC, 47-63Hz Three (3) Phase at 3.5KW Maximum
 (3KW Typical at 700W RF Output Power)
FRONT PANEL COLOR: GRAY per MIL-STD-595 26307

A

A

UNLESS OTHERWISE SPECIFIED: DIMENSIONS ARE IN INCHES. TOLERANCES ARE:		APPROVALS	DATE	WV Communications 1125 A Business Center Circle Newbury Park, CA
FRACTIONS	DECIMALS	ANGLES	HOLE	
± 1/64	XXX.XX	25°-90°	XXX.XXX	
	XXXX.000		XXX.XXXX	
MACHINED FINISH: 32 RMS REMOVE BURRS .005 MAX		CHECKED	TT	10/08/15
MATERIAL		MBCH ENGR	TT	10/08/15
FINISH		ELEC ENGR	JT	10/08/15
NEXT ASSEMBLY USED ON		PRODUCTION	AM	10/08/15
APPLICATION		Q.A.	DH	10/08/15

SIZE	CAGE CODE	DWG. NO.	REV
D	1GFQ7	050-50993	A

REV A

DWG NO. 050-50993

1 OF 1