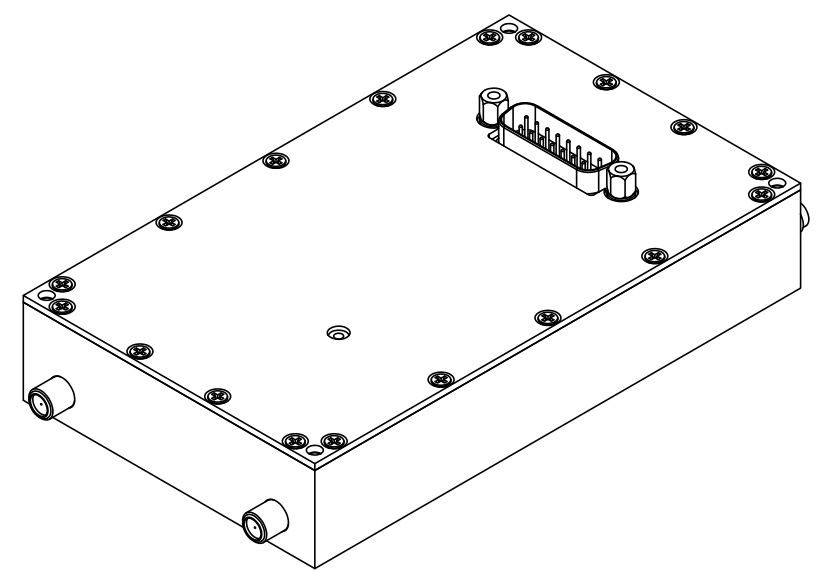
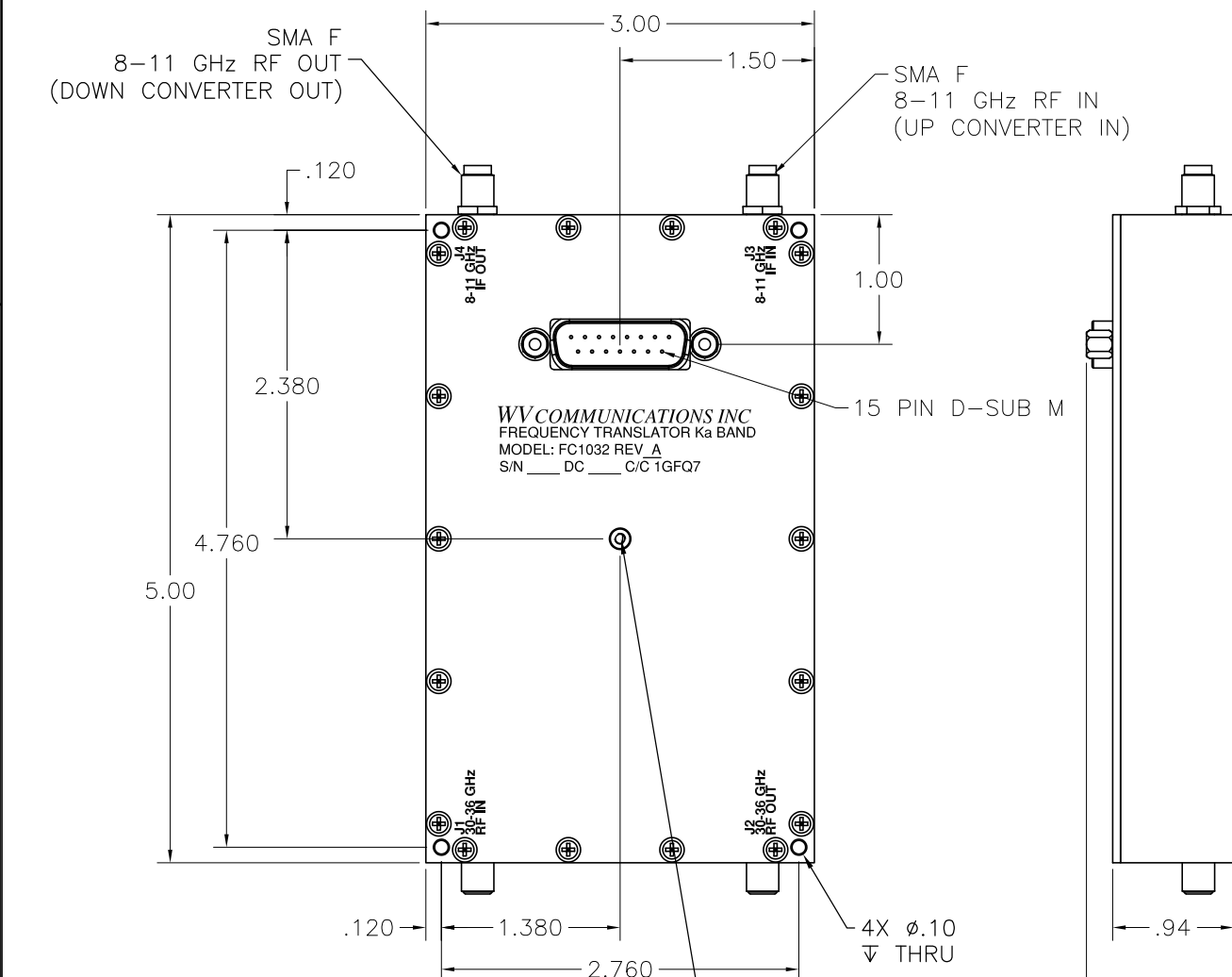


**** PROPRIETARY DATA ****
 THIS DOCUMENT CONTAINS DATA WHICH IS PROPRIETARY OR CONFIDENTIAL TO WV COMM (WV COMMUNICATIONS INCORPORATED). THIS DOCUMENT AND THE DATA CONTAINED HEREIN SHALL NOT BE USED, DUPLICATED, OR ALTERED WITHOUT THE EXPRESSED WRITTEN CONSENT OF WV COMM. ALL RIGHTS ARE RESERVED.

REVISIONS				
ZONE	REV	DESCRIPTION	DATE	APPROVED
	A	RELEASED	08/25/15	T.T.



Up Converter Specifications

INPUT FREQUENCY BAND: 8.0-11.0GHz
OUTPUT FREQUENCY BAND: 30.0-36.0GHz
FREQUENCY STEP: 5.0MHz Nominal
RF POWER OUTPUT: +10dBm Minimum
RF CONVERSION GAIN/VARIATION: 0±1dB Maximum
FREQUENCY CONVERSION SENSE: No Inversion
HARMONICS: -60dBc Maximum
SPURIOUS LEVEL: -50dBm Maximum
OUTPUT IMPEDANCE: 50Ω
OUTPUT VSWR: 2:1 Maximum (Ref 50Ω)

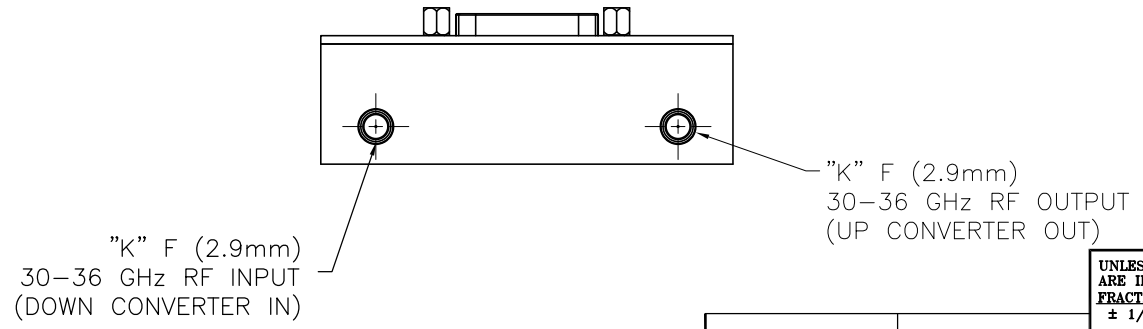
Down Converter Specifications

RX FREQUENCY BAND: 30.0-36.0GHz
OUTPUT FREQUENCY BAND: 8.0-11.0GHz
FREQUENCY STEP: 5.0MHz Nominal
RF CONVERSION GAIN/VARIATION: 0±1dB Maximum
NOISE FIGURE: 5dB Maximum at +25°C
OUTPUT POWER: 0dBm Minimum at 1dB Comp. Pt.
SPURIOUS: -60dBm Maximum
IMAGE REJECTION: 40dBc Minimum
IF HARMONICS: -40dBc Minimum
INPUT/OUTPUT IMPEDANCE: 50Ω Nominal
INPUT VSWR: 2:1 Maximum (Ref 50Ω)
TX REJECTION: 50dB Minimum

Common Specifications

LO FREQUENCY STABILITY: ±0.5ppm Maximum Over all Operating conditions
LO SSB PHASE NOISE: -70dBc/Hz Maximum @ 100Hz Offset
 -80dBc/Hz Maximum @ 1KHz Offset
 -85dBc/Hz Maximum @ 10KHz Offset
 -100dBc/Hz Maximum @ 100KHz Offset
 -110dBc/Hz Maximum at 1MHz Offset
TEMPERATURE RANGES: Operating -10 to +70°C
 Storage -40 to +85°C
FREQUENCY PROGRAM PROTOCOL: Serial Clock/Data/Enable TTL Levels
INPUT DC POWER: +28±4Vdc at 500mA Maximum

PIN ASSIGNMENTS	
PIN #	FUNCTION
1	+28V IN
2	+28V IN
3	GND (CHASSIS & 28V RETURN)
4	GND (CHASSIS & 28V RETURN)
5	GND
6	GND
7	ATTN1 UP
8	ATTN2 UP
9	GND
10	ATTN1 DOWN
11	ATTN1 DOWN
12	CLOCK IN
13	DATA IN
14	LATCH ENGAGE IN
15	LOCK DETECT OUT



UNLESS OTHERWISE SPECIFIED: DIMENSIONS ARE IN INCHES. TOLERANCES ARE:
 FRACTIONS DECIMALS ANGLES HOLES
 ± 1/64 .XX±.01 ±0°30' .XX±.005
 .XXX±.005 .XXX±.001
 MACHINED FINISH: 32 RMS REMOVE BURRS .005 MAX

900-50425	FC1032
NEXT ASSEMBLY	USED ON
APPLICATION	DO NOT SCALE DRAWING

APPROVALS		DATE
DRAWN	TONY T.	8/25/2015
CHECKED	TT	8/25/2015
MECH ENGR	TT	08/25/15
ELEC ENGR	JT	08/25/15
PRODUCTION	AM	08/25/15
Q.A.	DH	08/25/15

WV Communications 1125-A Business Center Circle
 Newbury Park, CA

OUTLINE DRAWING
FREQUENCY TRANSLATOR
Ka BAND

SIZE	CAGE CODE	DWG. NO.	REV
C	1GFQ7	050-50990	A
SCALE	MODEL: CT1032		SHEET 1 OF 1

DWG NO. 050-50990
 REV A
 DC-FORML-0015-3, REV C, 06/08