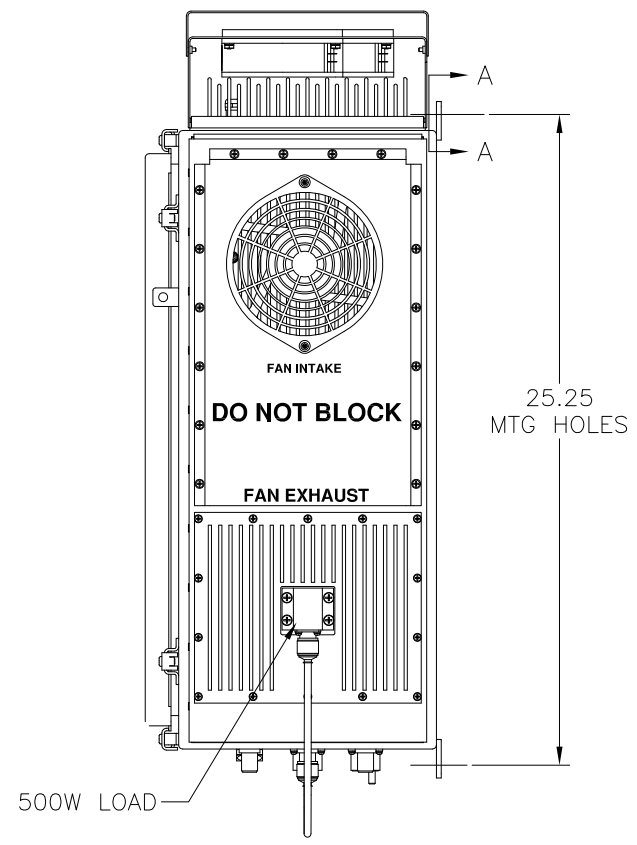
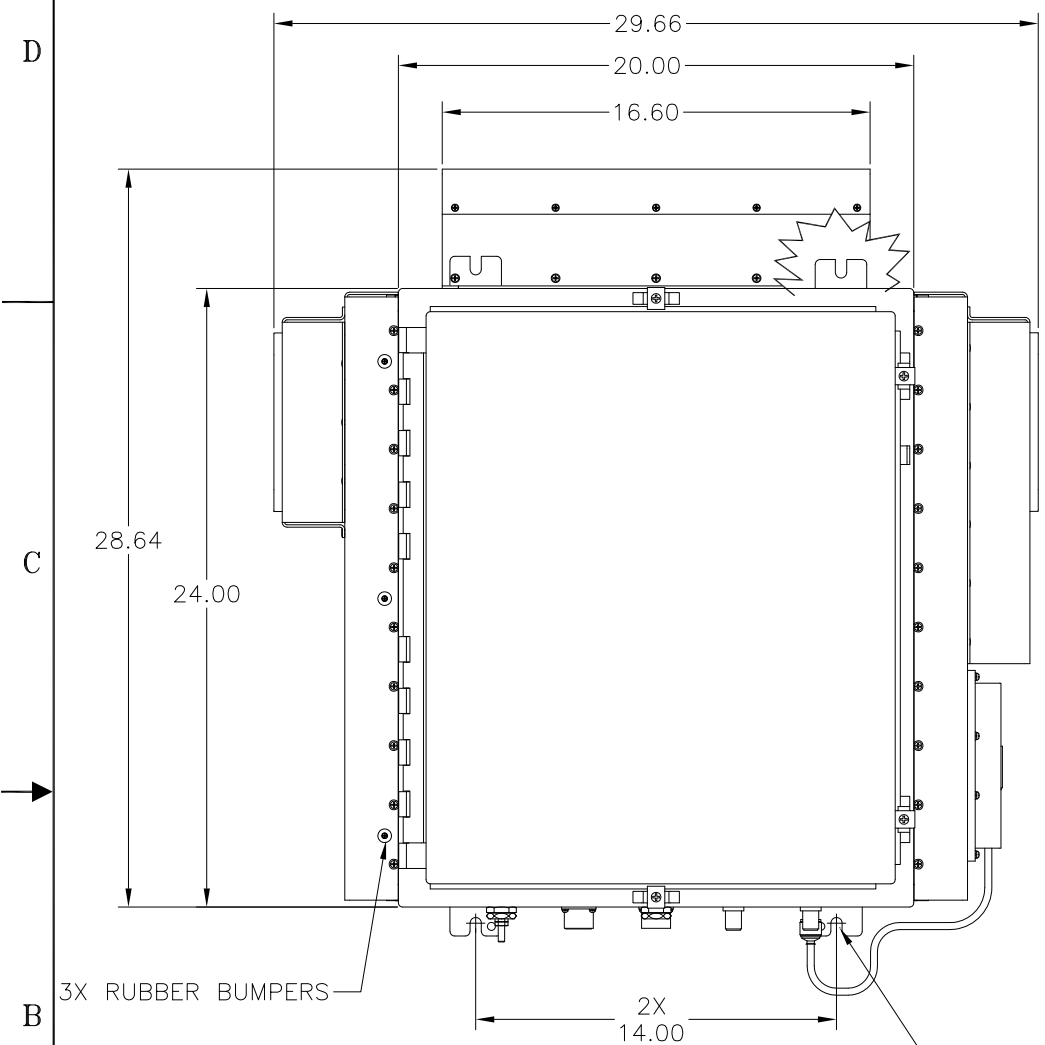
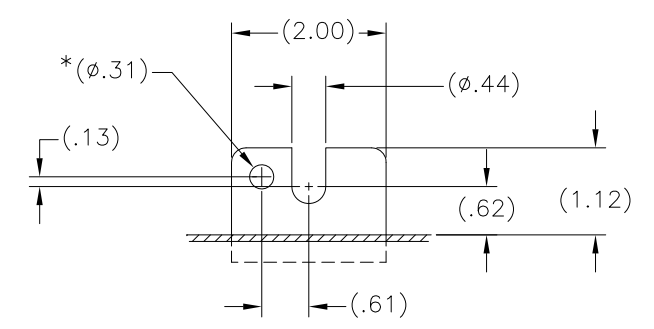
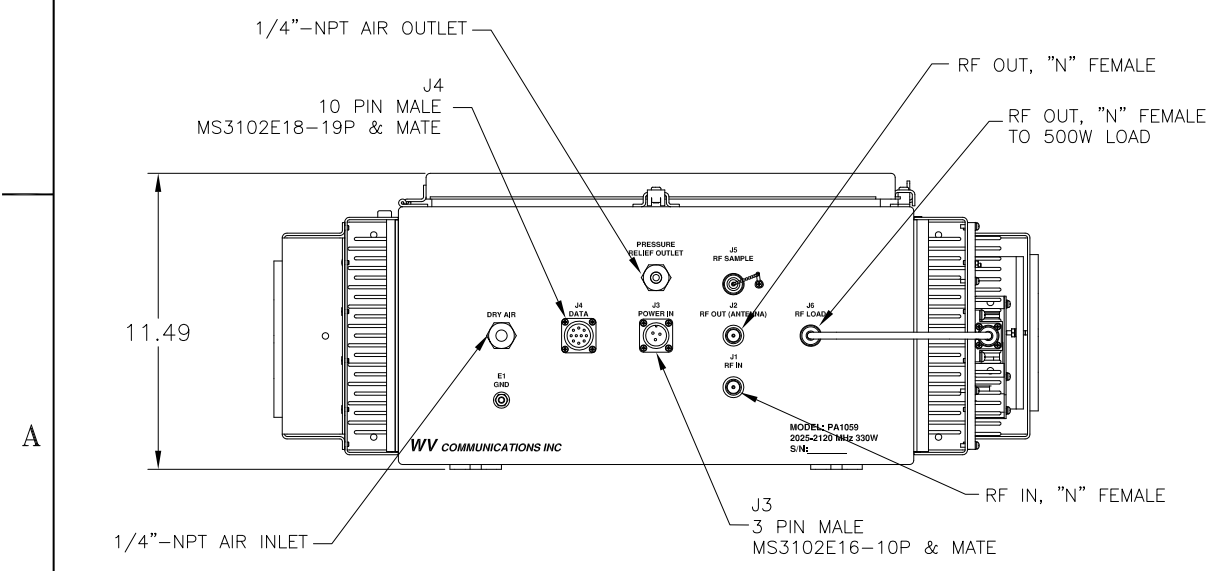


**** PROPRIETARY DATA ****
 THIS DOCUMENT CONTAINS DATA WHICH IS PROPRIETARY OR CONFIDENTIAL TO WV COMM (WV COMMUNICATIONS INCORPORATED). THIS DOCUMENT AND THE DATA CONTAINED HEREIN SHALL NOT BE USED, DUPLICATED, OR ALTERED WITHOUT THE EXPRESSED WRITTEN CONSENT OF WV COMM. ALL RIGHTS ARE RESERVED.

| REVISIONS | | | | |
|-----------|-----|-------------|-----------|----------|
| ZONE | REV | DESCRIPTION | DATE | APPROVED |
| B | | RELEASED | 8/29/2013 | TT |



OPERATING FREQUENCY RANGE: 2025-2120MHz
RF OUTPUT POWER: 330W CW Minimum 1dB Comp
RF INPUT POWER: 0dBm Nominal
RF OUTPUT PROTECTION: Protected to operate into any Load Mismatch & Phase without Damage (Internally protected)
INPUT /OUTPUT VSWR: 1.5:1 Maximum (Ref 50 Ohm)
RF GAIN: 58dB Minimum
SMALL SIGNAL GAIN FLATNESS: ±1.0dB Maximum into 1.25:1 Load VSWR
RF GAIN FLATNESS: ±0.1dB Maximum over any 1MHz Band
RF GAIN STABILITY: 0.5dB Maximum / 24 Hours
NOISE FIGURE: 10dB Maximum (7dB typical)
RF ATTENUATION RANGE: 0 to 30dB in 0.1dB Steps
RF INPUT POWER W/O DAMAGE: +3dBm Maximum
INPUT AND OUTPUT IMPEDANCE: 50? Nominal
RF OUTPUT MONITOR: 40dBc Nominal
RF OUTPUT SWITCH/LOAD: Internal high Power Switch with Air cooled External 500W Load
HARMONIC / SPURIOUS LEVELS: Integral Low Pass Filter
 60dBc Minimum over 1800-2025 & 2200-3000MHz
 40dBc Minimum over 3000 to 7600MHz
 120dBc Minimum over 7600 to 8500MHz
 90dBc Minimum above 8500MHz
TEMPERATURE RANGES: Operating -20 to +50°C
 -40 to +50°C with Internal 400W Heater Option
 Storage -45 to +70°C
COOLING: Via Conduction/Built-in Forced Air Cooling
HEATING: Via Internal 400W Heater
AMPLIFIER PROTECTION: Over Temperature, VSWR, Overdrive
LOCAL CONTROL: Via Internal Color LCD/Touchscreen Controller
REMOTE CONTROL: Via RS-422
REMOTE INTERLOCK: Via J4 PINS A&B
 24VDC/40mA Nominal - Amplifier On
 0VDC - Amplifier Off
AC INPUT POWER: 115VAC, 47-63Hz, Single Phase, 2,300W Maximum (Internal 400W Heater included)



| J3 | |
|------|----------------|
| CONN | NOMENCLATURE |
| J3-A | 115VAC LINE |
| J3-B | 115VAC NEUTRAL |
| J3-C | SAFETY GROUND |

| J4 | |
|------|--------------------|
| CONN | NOMENCLATURE |
| J4-A | REMOTE INTERLOCK + |
| J4-B | REMOTE INTERLOCK - |
| J4-C | N/U |
| J4-D | Rx+ |
| J4-E | Rx- |
| J4-F | RS-422 RTN |
| J4-G | Tx+ |
| J4-H | Tx- |
| J4-J | N/U |
| J4-K | N/U |

| APPROVALS | | DATE |
|------------|------------|----------|
| DRAWN | TONY T. | 04/05/12 |
| CHECKED | U. YULZARI | 04/05/12 |
| MECH ENGR | TT | 04/05/12 |
| ELEC ENGR | JT | 04/05/12 |
| PRODUCTION | AM | 04/05/12 |
| Q.A. | WO | 04/05/12 |

WV Communications 1176 Tourmaline Dr. Newbury Park, CA

AMPLIFIER SSPA OUTDOOR
 2025-2120 MHz 330W
 MODEL: PA1059

| | | | |
|------|-----------|-----------|-----|
| SIZE | CAGE CODE | DWG. NO. | REV |
| D | 1GFQ7 | 050-50892 | B |

SCALE NONE SHEET 1 OF 1

UNLESS OTHERWISE SPECIFIED: DIMENSIONS ARE IN INCHES. TOLERANCES ARE:
 FRACTIONS DECIMALS ANGLES HOLES
 ± 1/64 .XXX.01 ±0°30' .XXX+.005
 .XXX.005 .XXX+.005 .XXX-.001
 MACHINED FINISH: 32 RMS REMOVE BURRS .005 MAX
 MATERIAL
 FINISH
 900-50350 PA1059 RevB
 NEXT ASSEMBLY USED ON
 APPLICATION DO NOT SCALE DRAWING

REV. B
 DWG. NO. 050-50892
 DC-P004-0011-3, REV. C, 06/08