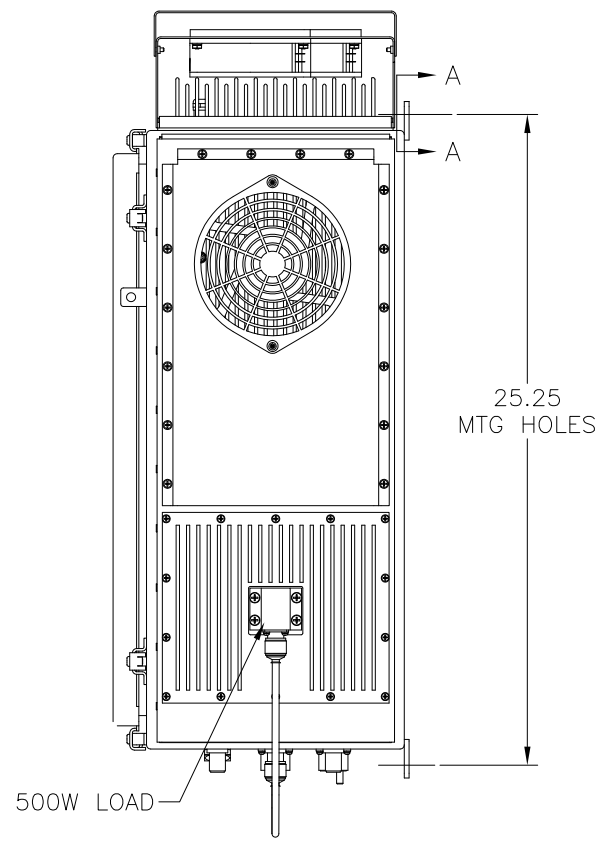
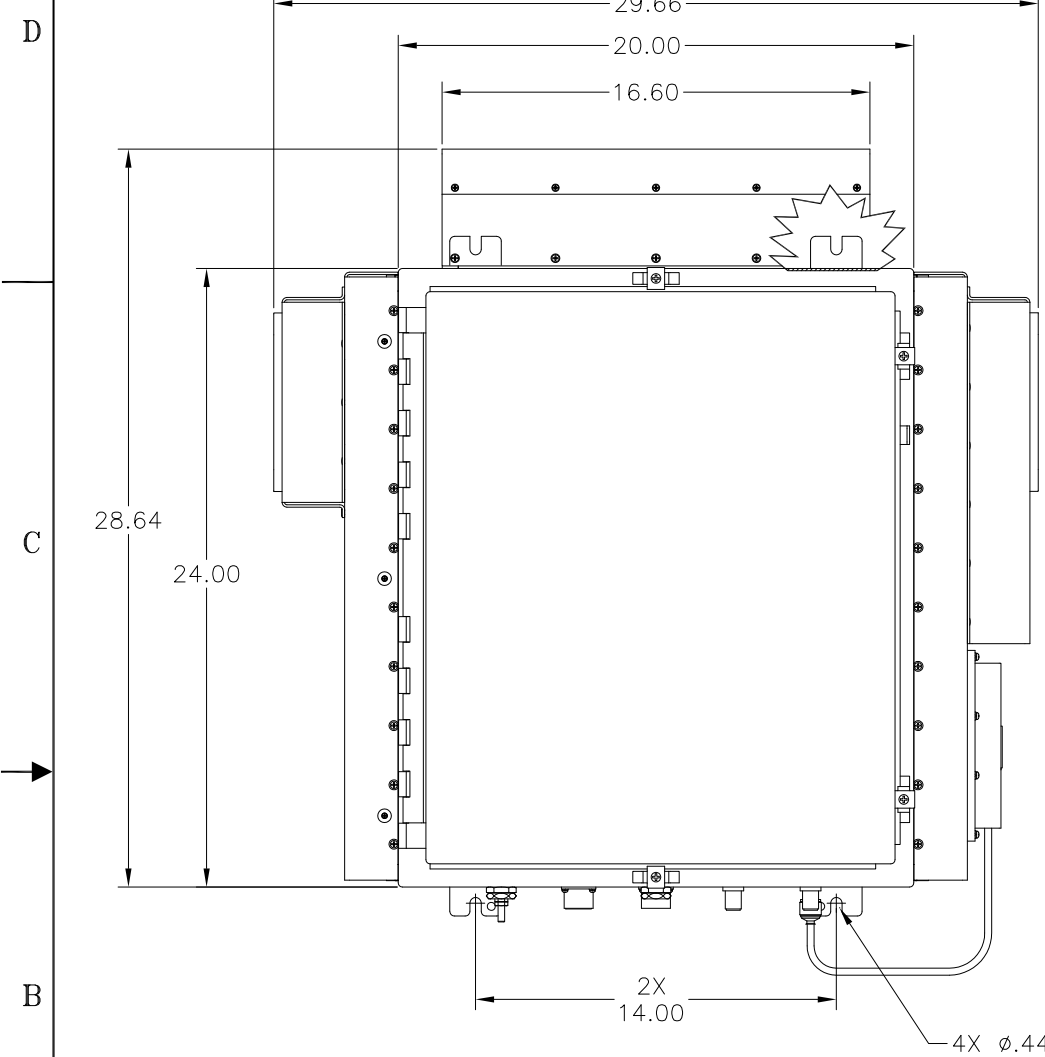


**** PROPRIETARY DATA ****
 THIS DOCUMENT CONTAINS DATA WHICH IS PROPRIETARY OR CONFIDENTIAL TO WV COMM (WV COMMUNICATIONS INCORPORATED). THIS DOCUMENT AND THE DATA CONTAINED HEREIN SHALL NOT BE USED, DUPLICATED, OR ALTERED WITHOUT THE EXPRESSED WRITTEN CONSENT OF WV COMM. ALL RIGHTS ARE RESERVED.

REVISIONS				
ZONE	REV	DESCRIPTION	DATE	APPROVED
	A	RELEASED	11/23/11	TT
	B	UPDATED FRONT PANEL	08/17/12	TT



OPERATING FREQUENCY BANDS: 1750-1850MHz & 2025-2120MHz User selectable one Band at one time

RF OUTPUT POWER: 400W (+56dBm) Minimum 1dB Comp

RF INPUT POWER: 0dBm Nominal

RF GAIN: 56dB Minimum

RF ATTENUATION RANGE: 0 to 20dB in 1dB Steps

RF INPUT POWER W/O DAMAGE: +3dBm Maximum

SMALL SIGNAL GAIN FLATNESS: ±1.5dB Maximum into 1.25:1 Load VSWR

INPUT AND OUTPUT IMPEDANCE: 50 Ohm Nominal

INPUT / OUTPUT VSWR: 2.0:1 Maximum (Ref 50Ω)

OUTPUT MONITOR: 40dBc Nominal for both Bands

HARMONICS LEVELS: 60dBc Minimum

SPURIOUS LEVELS: 70dBc Minimum

TEMPERATURE RANGES:
 Operating: -20 to +60°C
 Storage: -40 to +85°C

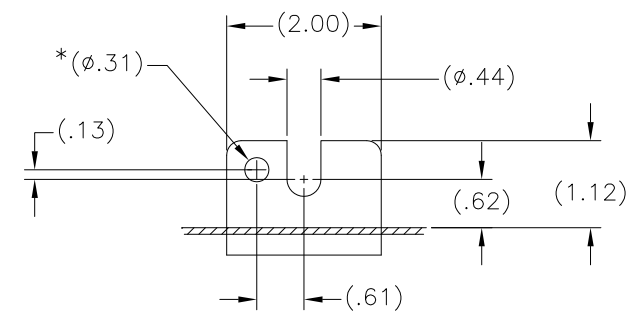
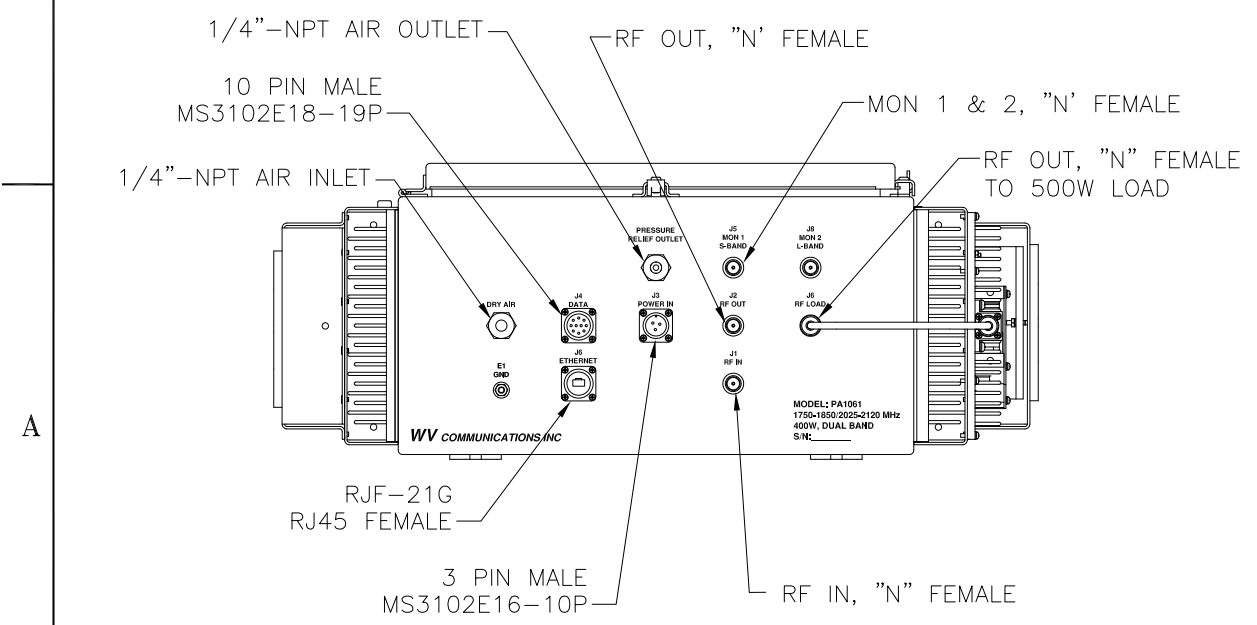
COOLING REQUIRED: Via Built-in Forced Air Cooling

AMPLIFIER PROTECTION: Over Temperature, VSWR, Overdrive

LOCAL CONTROL: Via Internal LCD/Touchscreen Controller

REMOTE CONTROL: Via RS-232 Port & Ethernet Port

AC INPUT POWER: 230±10%VAC 47-63Hz Single Phase 2000W Maximum



J6 MS3102E16-10P

CONN	NOMENCLATURE
J6-A	230VAC LINE
J6-B	230VAC NEUTRAL
J6-C	SAFETY GROUND

J7 RJ45 FEMALE

CONN	DESCRIPTION
J7-1	TX+
J7-2	TX-
J7-3	RX+
J7-4	N/C
J7-5	N/C
J7-6	RX-
J7-7	N/C
J7-8	N/C

J8 MS3102E18-19P

CONN	NOMENCLATURE
J8-A	N/U
J8-B	N/U
J8-C	N/U
J8-D	Rx
J8-E	Tx
J8-F	RS-232 RTN
J8-G	RTS
J8-H	CTS
J8-J	N/U
J8-K	BLANKING IN

SECTION A-A
 (TYP DETAIL OF MOUNTING TAB)
 (*FRONT TABS ONLY)

APPROVALS		DATE	DWG. NO.		REV
DRAWN	A. RABACAL	11/22/11	050-50874		B
CHECKED	TONY T.	11/23/11	1GFQ7		
MECH ENGR	T.T.	11/23/11	050-50874		
ELEC ENGR	J.T.	11/23/11	050-50874		
PRODUCTION	A.M.	11/23/11	050-50874		
Q.A.	W.O.	11/23/11	050-50874		

UNLESS OTHERWISE SPECIFIED: DIMENSIONS ARE IN INCHES. TOLERANCES ARE: FRACTIONS: DECIMALS: ANGLES: HOLES: ± 1/64 .XXX.01 ±0°30' .XXX.005 ±.001

MACHINED FINISH: 32 RMS REMOVE BURRS .005 MAX

MATERIAL: FINISH: DO NOT SCALE DRAWING

900-50337 PA1061 NEXT ASSEMBLY USED ON APPLICATION

APPROVALS: A.M. 11/23/11

DATE: 11/23/11

SCALE: NONE

SHEET 1 OF 1

WV Communications 1125A Business Center Circle Newbury Park, CA

AMPLIFIER SSPA OUTDOOR
 1750-1850/2025-2120 MHz 400W DUAL BAND
 MODEL: PA1061

SIZE: D CAGE CODE: 1GFQ7 DWG. NO.: 050-50874 REV: B

DWG. NO. 050-50874