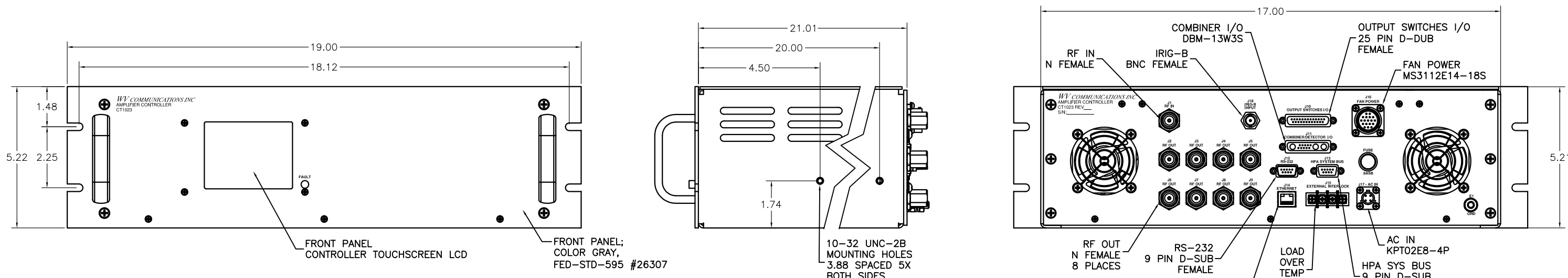


**** PROPRIETARY DATA ****
 THIS DOCUMENT CONTAINS DATA WHICH IS PROPRIETARY OR CONFIDENTIAL TO WV COMM (WV COMMUNICATIONS INCORPORATED). THIS DOCUMENT AND THE DATA CONTAINED HEREIN SHALL NOT BE USED, DUPLICATED, OR ALTERED WITHOUT THE EXPRESSED WRITTEN CONSENT OF WV COMM. ALL RIGHTS ARE RESERVED.

REVISIONS				
ZONE	REV	DESCRIPTION	DATE	APPROVED
	A	RELEASE	3/27/2014	JMO
	B	ADDED BNC CONNECTOR	02NOV09	TT
	C	J18 WAS BLANKING IS IRIG-B	08/14/14	TT
	D	ADD RF SPECIFICATIONS	8/27/14	JO
	E	WAS 'OVERTEMP ALARM' IS 'EXTERNAL INTERLOCK'	5/15/15	JO

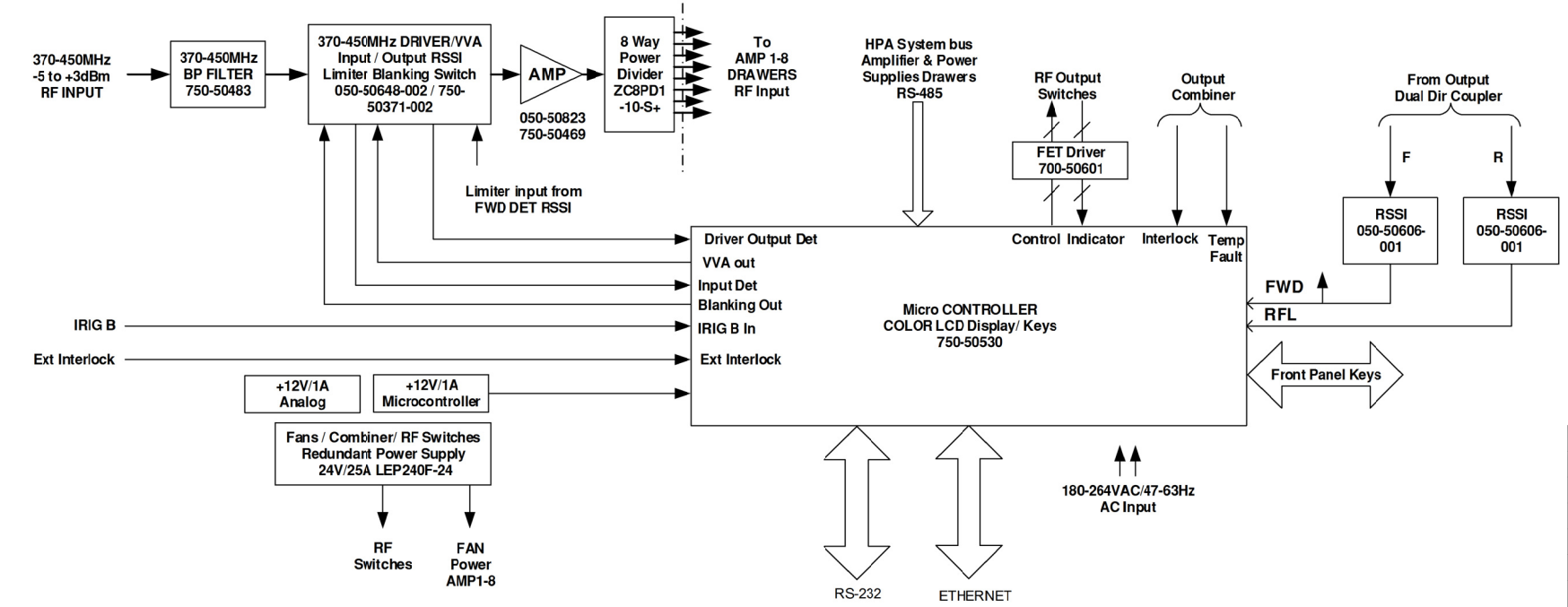


SPECIFICATIONS:

- OPERATING FREQUENCY RANGES:** 370-450MHz
- RF OUTPUT POWER 1 to 8:** 0.5W Minimum @ P1dB Comp each Output
- GAIN:** 28dB Minimum at P1dB Comp
- RF INPUT POWER W/O DAMAGE:** 10dBm Maximum
- SMALL SIGNAL GAIN FLATNESS:** ±1dB Maximum / 1.25:1 Load VSWR
- AMPLITUDE TRACKING 1 to 8):** ±0.2dB Maximum
- PHASE TRACKING 1 to 8):** ±4° Maximum
- INPUT / OUTPUT IMPEDANCE:** 50Ω Nominal
- INPUT VSWR:** 2.0:1 Maximum (Ref 50Ω)
- SPURIOUS SIGNAL LEVELS:** -60dBc Maximum
- TEMPERATURE RANGES:** Operating 0 to +50°C
- COOLING REQUIRED:** Via Forced air Exhaust Fan
- INTEGRAL VVA RANGE:** 0-30dB Minimum

CPU/CONTROLLER LOCAL CONTROL: REMOTE CONTROL:

Via Color Touchscreen LCD Display
 Via Ethernet UDP/IP Protocol
EXTERNAL IRIG B INPUT LEVEL: RS-232C 9.6-115.2KB, N, 8, 1 1VP-P Nominal
AC INPUT POWER AT: 115/230VAC at 4/2 Amp Maximum 47-63 Hz Single Phase
FRONT PANEL COLOR: Gray Per MIL-STD-595-26307



J10 OUTPUT SWITCH I/O	
PIN No.	FUNCTION
1	SW1 +24 VDC POS1
2	SW1 +24 VDC POS2
3	SW1 +24 VDC COMMON
4	SW1 INDICATOR 1
5	SW1 INDICATOR 2
6	SW1 IND COMMON
7	SW2 +24VDC POS1
8	SW2 +24VDC POS2
9	SW2 +24VDC COMMON
10	SW2 INDICATOR 1
11	SW2 INDICATOR 2
12	SW2 IND COMMON
13	SW3 +24VDC POS1
14	SW3 +24VDC POS2
15	SW3 +24VDC COMMON
16	SW3 INDICATOR 2
17	SW3 INDICATOR 1
18	SW3 IND COMMON
19	N/C
20	N/C
21	N/C
22	N/C
23	N/C
24	N/C
25	N/C

J11 COMBINER I/O	
PIN No.	FUNCTION
A1	FWD RSSI DETECT
A2	REV RSSI DETECT
A3	N/C
1	+24VDC FAN POWER
2	+24VDC RTN
3	N/C
4	THERMAL ALARM
5	N/C
6	INTERLOCK ALARM
7	N/C
8	+24VDC FAN POWER
9	+24VDC RTN
10	N/C

J16 FAN POWER	
PIN No.	FUNCTION
A	+24VDC FAN POWER
B	+24VDC RTN
C	+24VDC FAN POWER
D	+24VDC RTN
E	+24VDC FAN POWER
F	+24VDC RTN
G	+24VDC FAN POWER
H	+24VDC RTN
J	+24VDC FAN POWER
K	+24VDC RTN
L	+24VDC FAN POWER
M	+24VDC RTN
N	+24VDC FAN POWER
P	+24VDC RTN
R	+24VDC FAN POWER
S	+24VDC RTN
T	+24VDC FAN POWER
U	+24VDC RTN

J13 HPA SYSTEM BUS	
PIN No.	FUNCTION
1	N/C
2	N/C
3	SPARE
4	N/C
5	GND
6	N/C
7	DATA+
8	DATA-
9	ADDRESS INPUT

J17 AC INPUT	
PIN LTR.	FUNCTION
A	AC LINE
B	AC NEUTRAL
C	SAFETY GND
D	SPARE

UNLESS OTHERWISE SPECIFIED: DIMENSIONS ARE IN INCHES. TOLERANCES ARE: <small>FRACTIONS DECIMALS ANGLES HOLES</small> <small>± 1/64 .0125 .01 20°±0.05 .015±.001</small> <small>MACHINED FINISH: .02 RMS REMOVE BURS .005 MAX</small>	<table border="1"> <thead> <tr> <th>APPROVALS</th> <th>DATE</th> </tr> </thead> <tbody> <tr><td>DRAWN G. GODDARD</td><td>3/3/2009</td></tr> <tr><td>CHECKED GUY G.</td><td>3/MAR09</td></tr> <tr><td>MECH ENGR GG</td><td>3/MAR09</td></tr> <tr><td>ELEC ENGR JT</td><td>3/MAR09</td></tr> <tr><td>PRODUCTION AM</td><td>3/MAR09</td></tr> <tr><td>APPROVED UY</td><td>3/MAR09</td></tr> </tbody> </table>	APPROVALS	DATE	DRAWN G. GODDARD	3/3/2009	CHECKED GUY G.	3/MAR09	MECH ENGR GG	3/MAR09	ELEC ENGR JT	3/MAR09	PRODUCTION AM	3/MAR09	APPROVED UY	3/MAR09	<table border="1"> <thead> <tr> <th>900-50280</th> <th>SYS1018</th> </tr> </thead> <tbody> <tr> <td>900-50251</td> <td>CT1023</td> </tr> <tr> <td>NEXT ASSEMBLY</td> <td>USED ON</td> </tr> <tr> <td>APPLICATION</td> <td>DO NOT SCALE DRAWING</td> </tr> </tbody> </table>	900-50280	SYS1018	900-50251	CT1023	NEXT ASSEMBLY	USED ON	APPLICATION	DO NOT SCALE DRAWING	<table border="1"> <tr> <td colspan="2">1125-A Business Center Circle Newbury Park, CA</td> </tr> <tr> <td colspan="2" style="text-align: center;">CONTROLLER 10KW HPA 370-450MHz 8 OUTPUT MODEL: CT1023</td> </tr> <tr> <td>SIZE CAGE CODE</td> <td>DWG. NO.</td> </tr> <tr> <td>D 1GFQ7</td> <td>050-50703</td> </tr> <tr> <td>SCALE NONE</td> <td>SHEET 1 OF 1</td> </tr> </table>	1125-A Business Center Circle Newbury Park, CA		CONTROLLER 10KW HPA 370-450MHz 8 OUTPUT MODEL: CT1023		SIZE CAGE CODE	DWG. NO.	D 1GFQ7	050-50703	SCALE NONE	SHEET 1 OF 1
APPROVALS	DATE																																		
DRAWN G. GODDARD	3/3/2009																																		
CHECKED GUY G.	3/MAR09																																		
MECH ENGR GG	3/MAR09																																		
ELEC ENGR JT	3/MAR09																																		
PRODUCTION AM	3/MAR09																																		
APPROVED UY	3/MAR09																																		
900-50280	SYS1018																																		
900-50251	CT1023																																		
NEXT ASSEMBLY	USED ON																																		
APPLICATION	DO NOT SCALE DRAWING																																		
1125-A Business Center Circle Newbury Park, CA																																			
CONTROLLER 10KW HPA 370-450MHz 8 OUTPUT MODEL: CT1023																																			
SIZE CAGE CODE	DWG. NO.																																		
D 1GFQ7	050-50703																																		
SCALE NONE	SHEET 1 OF 1																																		

REV. C, 06/09 050-50703