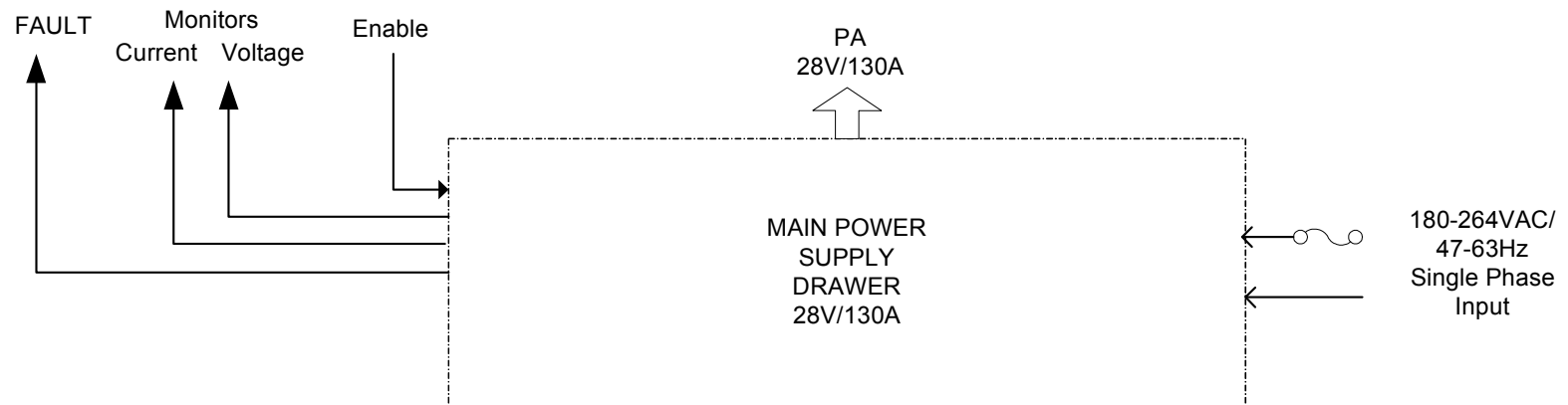
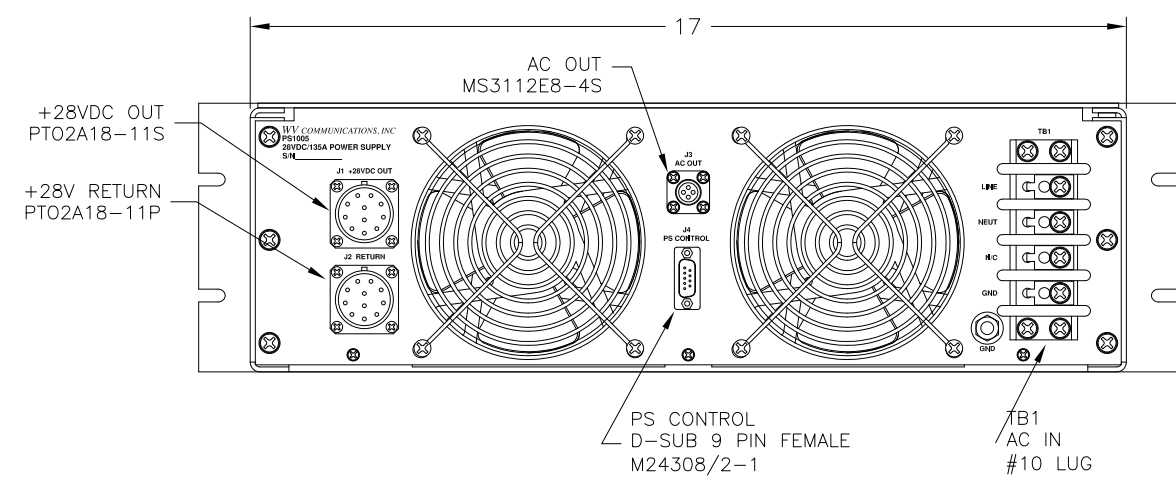
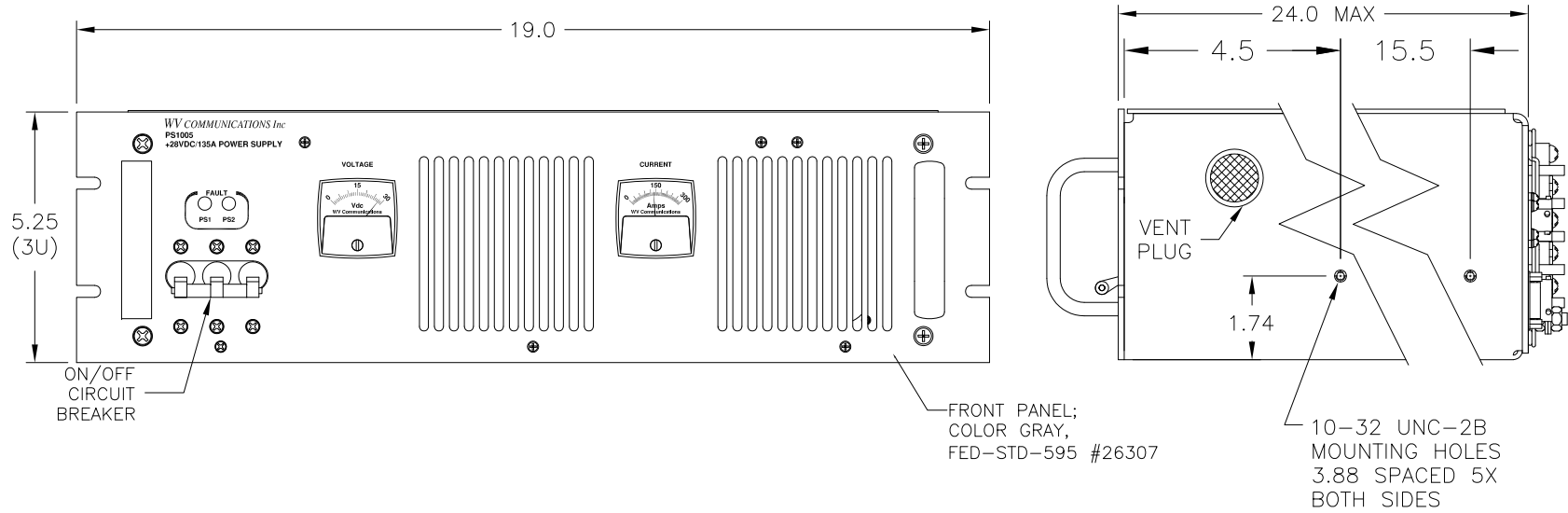


**\*\* PROPRIETARY DATA \*\***  
 THIS DOCUMENT CONTAINS DATA WHICH IS PROPRIETARY OR CONFIDENTIAL TO WV COMM (WV COMMUNICATIONS INCORPORATED). THIS DOCUMENT AND THE DATA CONTAINED HEREIN SHALL NOT BE USED, DUPLICATED, OR ALTERED WITHOUT THE EXPRESSED WRITTEN CONSENT OF WV COMM. ALL RIGHTS ARE RESERVED.

REVISIONS				
ZONE	REV	DESCRIPTION	DATE	APPROVED
	A	RELEASED	19DEC08	GG

D  
C  
B  
A



**SPECIFICATIONS:**

- DC OUTPUT POWER:** 28Vdc at 130Amps Maximum
- REMOTE ENABLE:** Short J4 Pin3 to Pin 8 to enable, Open-Disable
- AC OUTPUT:** Via J3 208Vac to Controller Drawer
- PROTECTION:** Mains AC Breaker 30Amps
- COOLING:** Via Forced Air integral Built-in Fans
- TEPERATURE:** Operating: 0 to +50C
- AC INPUT POWER:** 180-264Vac, 47-63Hz Single Phase at 3KW Maximum (2.5KW Typical)

J3, AC OUT		J4, PS CONTROL	
PIN NO.	PIN NAME	PIN NO.	PIN NAME
A	LINE	1	Spare
B	NEUTRAL	2	Spare
C	GROUND	3	ENABLE
D	N/C	4	Current Mon.
		5	Volt Mon.
		6	FAULT
		7	Spare
		8	+12Vdc RTN
		9	+12Vdc In

SHORT PINS 3 & 8 TO ENABLE POWER SUPPLY

UNLESS OTHERWISE SPECIFIED: DIMENSIONS ARE IN INCHES. TOLERANCES ARE:		APPROVALS	DATE	<b>WV Communications</b> 1176 Tourmaline Dr. Newbury Park, CA
FRACTIONS	DECIMALS	ANGLES	HOLE	
± 1/64	.XXX(.01)	±0°30'	.XXX(.005)	DRAWN G. GODDARD 19DEC08 CHECKED GUY G. 02FEB06 MECH ENGR GG 02FEB06 ELEC ENGR JT 02FEB06 PRODUCTION AM 02FEB06 Q.A. DB 02FEB06
	.XXX(.005)		.XXX(.001)	
MACHINED FINISH: 32 RMS REMOVE BURRS .005 MAX		FINISH		POWER SUPPLY +28V/130A SINGLE PHASE PS1005 SIZE D CAGE CODE 1GFQ7 DWG. NO. 050-50691 REV A SCALE NONE SHEET 1 OF 1
MATERIAL		APPLICATION		
900-50245	PS1005	DO NOT SCALE DRAWING		
NEXT ASSEMBLY USED ON				

8 7 6 5 4 3 2 1

REV A  
 DWG NO. 050-50691  
 DC-PWR-0011-3, REV C, 06/08