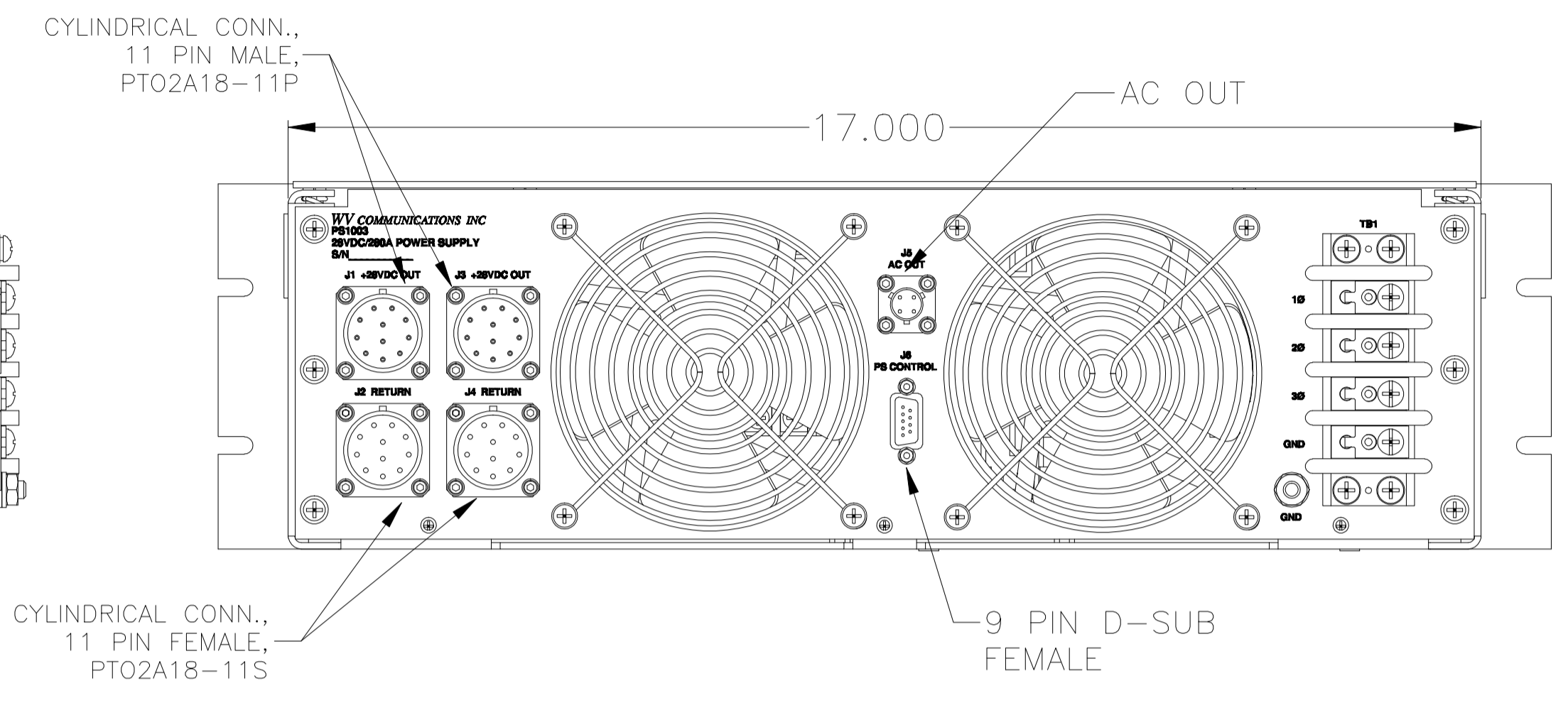
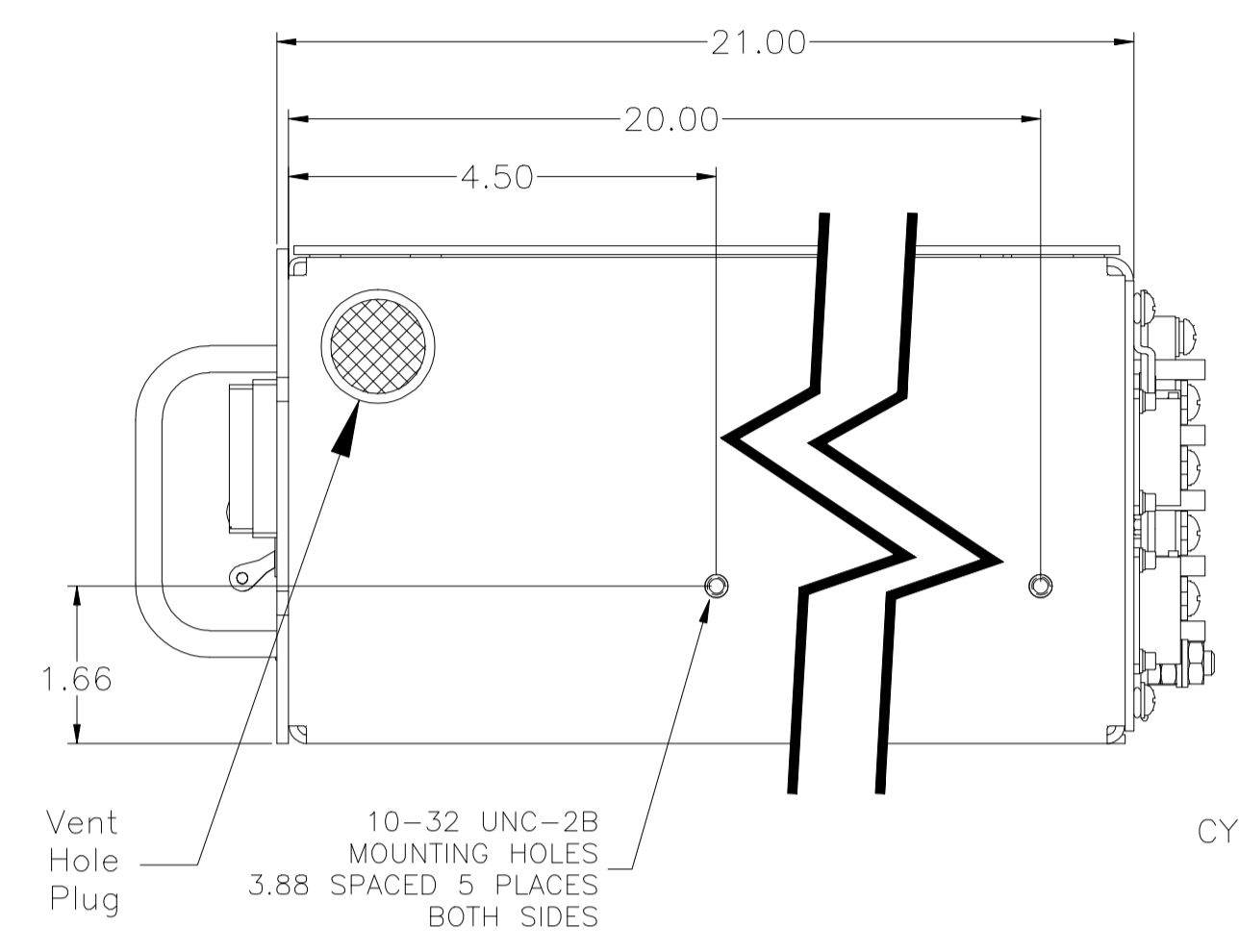
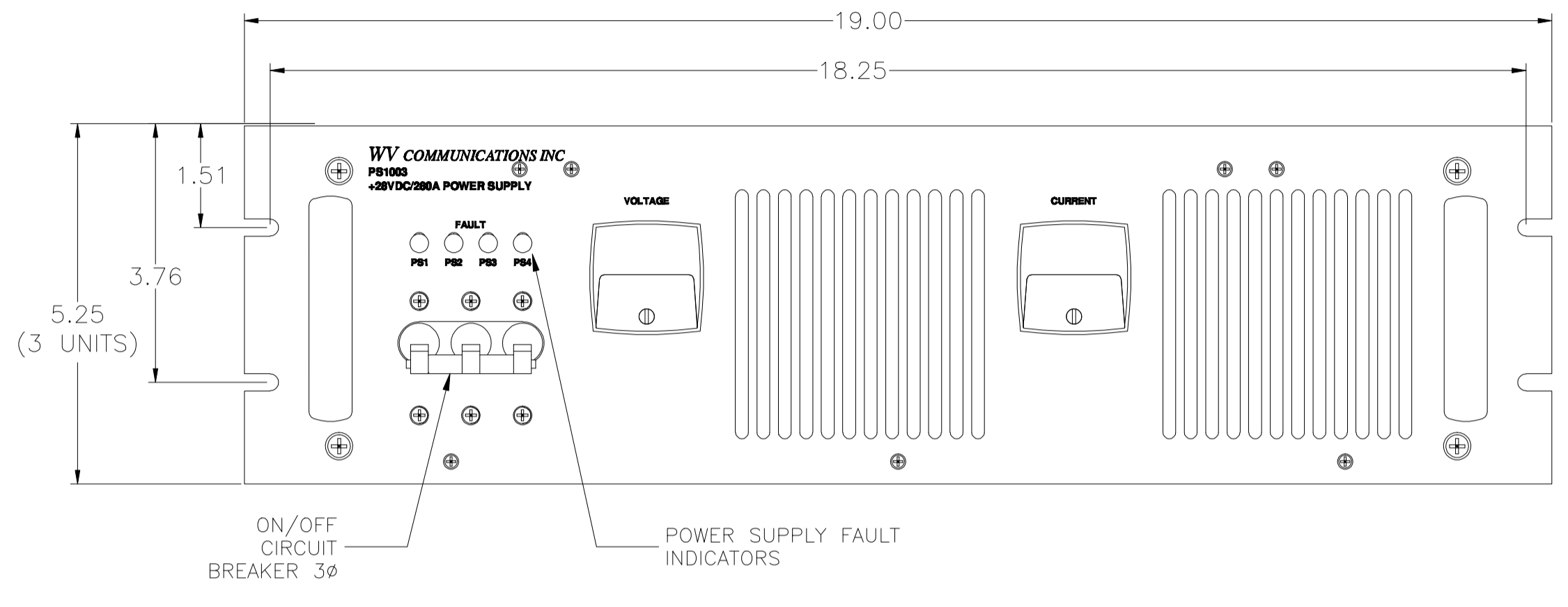


**\*\* PROPRIETARY DATA \*\***  
 THIS DOCUMENT CONTAINS DATA WHICH IS PROPRIETARY OR CONFIDENTIAL TO WV COMM (WV COMMUNICATIONS INCORPORATED). THIS DOCUMENT AND THE DATA CONTAINED HEREIN SHALL NOT BE USED, DUPLICATED, OR ALTERED WITHOUT THE EXPRESSED WRITTEN CONSENT OF WV COMM. ALL RIGHTS ARE RESERVED.

REVISIONS				
ZONE	REV	DESCRIPTION	DATE	APPROVED
	A	RELEASED	5/9/2011	TT



J5, AC OUT	
PIN NO.	PIN NAME
A	LINE
B	NEUTRAL
C	GROUND
D	N/C

J6, PS CONTROL	
PIN NO.	PIN NAME
1	SPARE
2	SPARE
3	PS ENABLE IN
4	I MONITOR OUT
5	V MONITOR OUT
6	PS FAULT OUT
7	SPARE
8	+12Vdc RTN
9	+12Vdc In

SHORT PINS 3 & 8 TO ENABLE +28VDC POWER SUPPLY

**SPECIFICATIONS SUMMARY:**

- DC OUTPUT POWER:** 2ea +28Vdc at 100Amps ea. Maximum
- REMOTE ENABLE:** Short J6 Pin3 to Pin 8 to enable, Open-Disable
- AC OUTPUT:** Via J5 208Vac to Controller
- PROTECTION:** Mains AC Breaker 30Amps
- COOLING:** Via Forced Air integral Built-in Fans
- TEMPERATURE:** Operating: 0 to +50C  
Storage: -40 to +60C
- AC INPUT POWER:** 180-264Vac, 47-63Hz Three (3) Phase at 6KW Maximum (5KW Typical)

UNLESS OTHERWISE SPECIFIED: DIMENSIONS ARE IN INCHES. TOLERANCES ARE: <small>FRACTIONS DECIMALS ANGLES HOLES        ± 1/64 .XXX±.01 ±0°30' .XXX±.005        MACHINED FINISH: 32 RMS REMOVE BURRS .005 MAX</small>		APPROVALS	DATE	<b>WV Communications</b> 1176 Tourmaline Dr. Newbury Park, CA <b>POWER SUPPLY</b> +28V/200A 3 PHASE (2KW AMP) PS1003
DRAWN G. GODDARD 5/9/2011 CHECKED TONY T. 28DEC07 MECH ENGR GG 28DEC07 ELEC ENGR DT 28DEC07 PRODUCTION AM 28DEC07 Q.A. DB 28DEC07		SIZE CAGE CODE DWG. NO. REV <b>D 1GFQ7 050-50637 A</b>		
900-50223	PS1003	SCALE NONE		SHEET 1 OF 1
APPLICATION		DO NOT SCALE DRAWING		

DWG NO. 050-50637  
 REV A  
 DC-PDR-0010-3, REV. C, 08/08