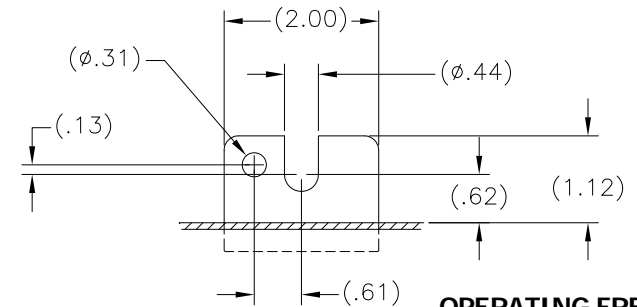
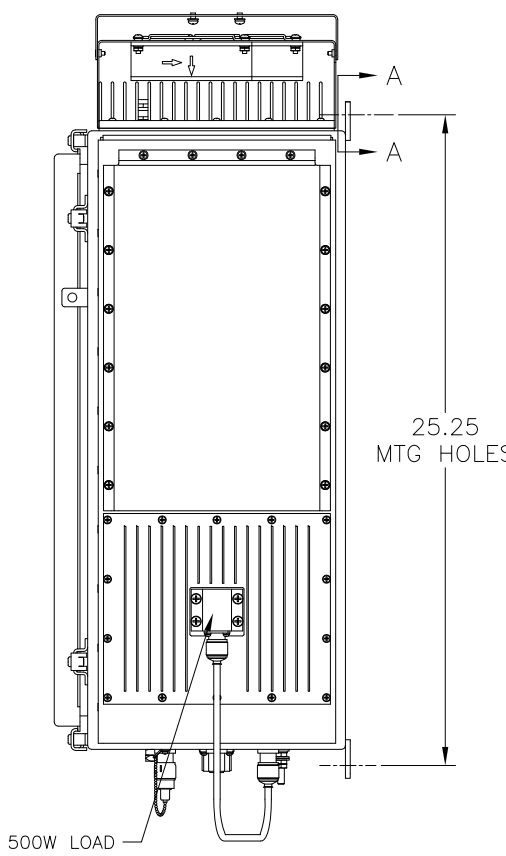
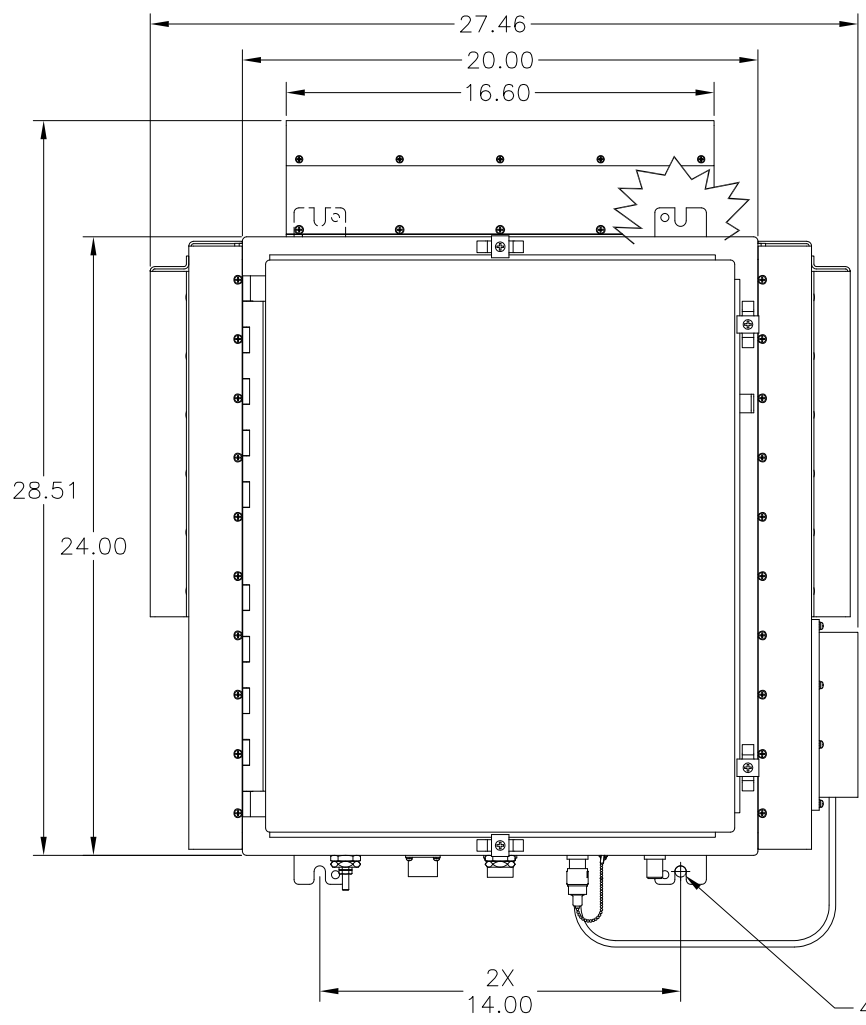


**** PROPRIETARY DATA ****
 THIS DOCUMENT CONTAINS DATA WHICH IS PROPRIETARY OR CONFIDENTIAL TO WV COMM (WV COMMUNICATIONS INCORPORATED). THIS DOCUMENT AND THE DATA CONTAINED HEREIN SHALL NOT BE USED, DUPLICATED, OR ALTERED WITHOUT THE EXPRESSED WRITTEN CONSENT OF WV COMM. ALL RIGHTS ARE RESERVED.

| REVISIONS | | | | |
|-----------|-----|-------------------------|---------|----------|
| ZONE | REV | DESCRIPTION | DATE | APPROVED |
| | A | RELEASED | 1-11-08 | J.M. |
| | B | ADDED LOAD AND HEATSINK | 17SEP08 | GG UY |

D
C
B
A



OPERATING FREQUENCY RANGE: 2025-2120MHz
RF OUTPUT POWER: 400W Minimum 1dB Comp
RF OUTPUT MONITOR: 40dBc Nominal
RF OUTPUT PROTECTION: Protected to operate into any Load Mismatch & Phase without Damage (Internally Isolator protected)
SMALL SIGNAL GAIN FLATNESS: ±1.0dB Maximum into 1.25:1 Load VSWR
RF INPUT POWER: 0dBm Nominal
RF GAIN: 57dB Minimum
RF ATTENUATION RANGE: 0 to 30dB in 1.0dB Steps
RF INPUT POWER W/O DAMAGE: +3dBm Maximum
INPUT AND OUTPUT IMPEDANCE: 50 Ohm Nominal
INPUT /OUTPUT VSWR: 1.5:1 Maximum (Ref 50 Ohm)
HARMONIC / SPURIOUS LEVELS: 60dBc Minimum over 1800-2120 & 2120-2200MHz
 20dBc Minimum over 2200 to 3000MHz
 30dBc Minimum over 3000 to 7600MHz
 90dBc Minimum over 7600 to 8500MHz
 40dBc Minimum above 8500MHz

TEMPERATURE RANGES: Operating 0 to +50°C
 Storage -40 to +70°C

COOLING REQUIRED: Via Conduction/Built-in Forced Air Cooling

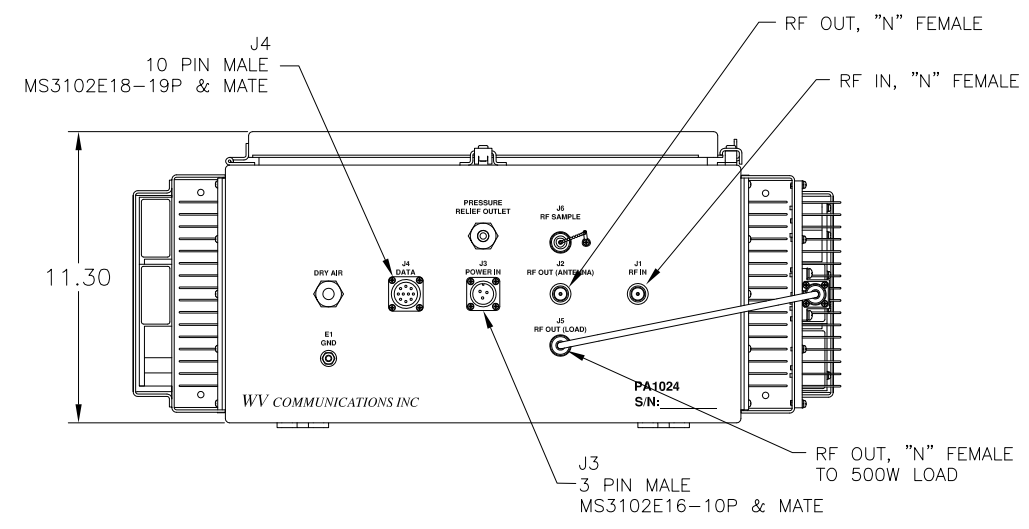
AMPLIFIER PROTECTION: Over Temperature, VSWR, Overdrive

LOCAL CONTROL: Via Internal LCD/Touchscreen Controller

REMOTE CONTROL: Via RS-422 Port 9,600 Baud,8,N,1

REMOTE INTERLOCK: Via J4 PINS A&B
 24VDC/40mA Nominal - Amplifier On
 0VDC - Amplifier Off

AC INPUT POWER: 115/230VAC 47-63Hz Single Phase, 1,500VA Maximum (1,200VA typical)



J3
MS3102E16-10P

| CONN | NOMENCLATURE |
|------|----------------|
| J3-A | 230VAC HOT |
| J3-B | 230VAC NEUTRAL |
| J3-C | SAFETY GROUND |

J4
MS3102E18-19P

| CONN | NOMENCLATURE |
|------|--------------------|
| J4-A | REMOTE INTERLOCK + |
| J4-B | REMOTE INTERLOCK - |
| J4-C | N/U |
| J4-D | Rx+ |
| J4-E | Rx- |
| J4-F | RS-422 RTN |
| J4-G | Tx+ |
| J4-H | Tx- |
| J4-J | N/U |
| J4-K | N/U |

| UNLESS OTHERWISE SPECIFIED: DIMENSIONS ARE IN INCHES. TOLERANCES ARE: | | APPROVALS | DATE |
|---|----------------------|------------|--------------------|
| FRACTIONS | ± 1/64 | DRAWN | J.M. 1-11-08 |
| DECIMALS | XXX.01 | CHECKED | U. YULZARI 1-11-08 |
| ANGLES | ±0°30' | MECH ENGR | GG 7-06-05 |
| HOLE | .XXX±.005 | ELEC ENGR | JT 7-06-05 |
| | .XXX±.001 | PRODUCTION | AM 7-06-05 |
| MACHINED FINISH: 32 RMS REMOVE BURRS .005 MAX | | Q.A. | DB 7-06-05 |
| MATERIAL | | | |
| FINISH | | | |
| 900-50241 | PA1024 | | |
| NEXT ASSEMBLY | USED ON | | |
| APPLICATION | DO NOT SCALE DRAWING | | |

WV Communications 1176 Tourmaline Dr. Newbury Park, CA

AMPLIFIER, 2025-2120 MHz 400W MODEL PA1024

| | | | |
|-------|-----------|-----------|--------|
| SIZE | CAGE CODE | DWG. NO. | REV |
| D | 1GFQ7 | 050-50628 | B |
| SCALE | NONE | SHEET | 1 OF 1 |

REV. B
 DWG. NO. 050-50628
 DC-P004-0011-3, REV. C, 06/08

8 7 6 5 4 3 2 1