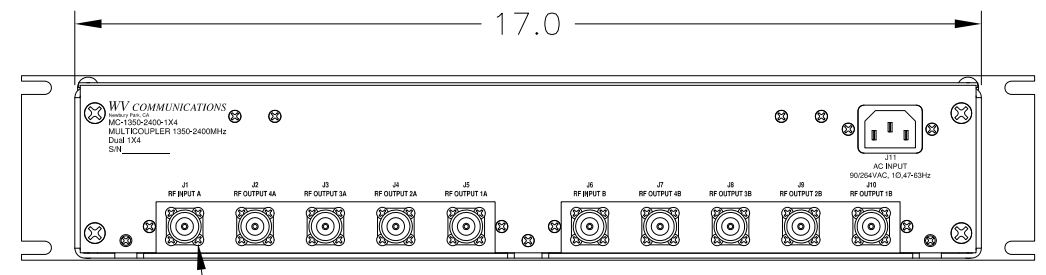
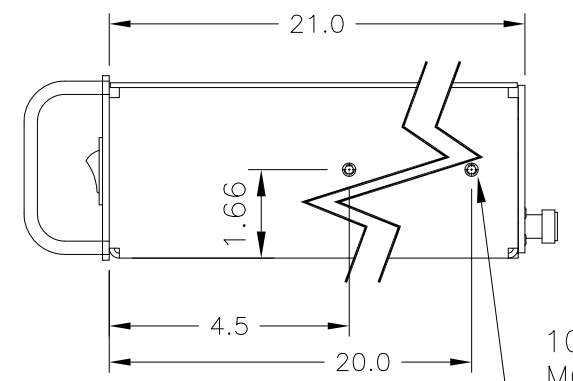
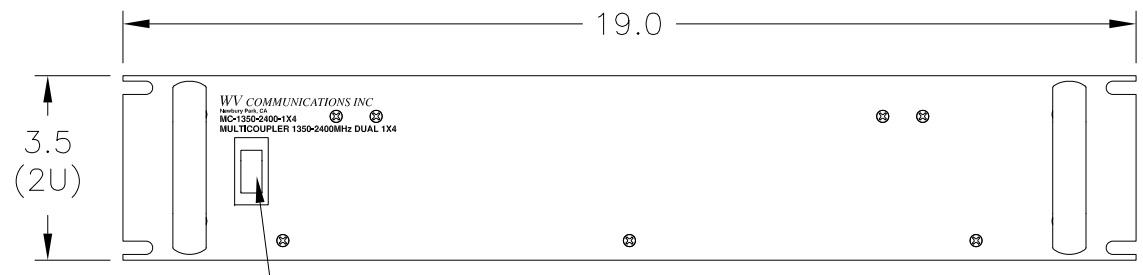
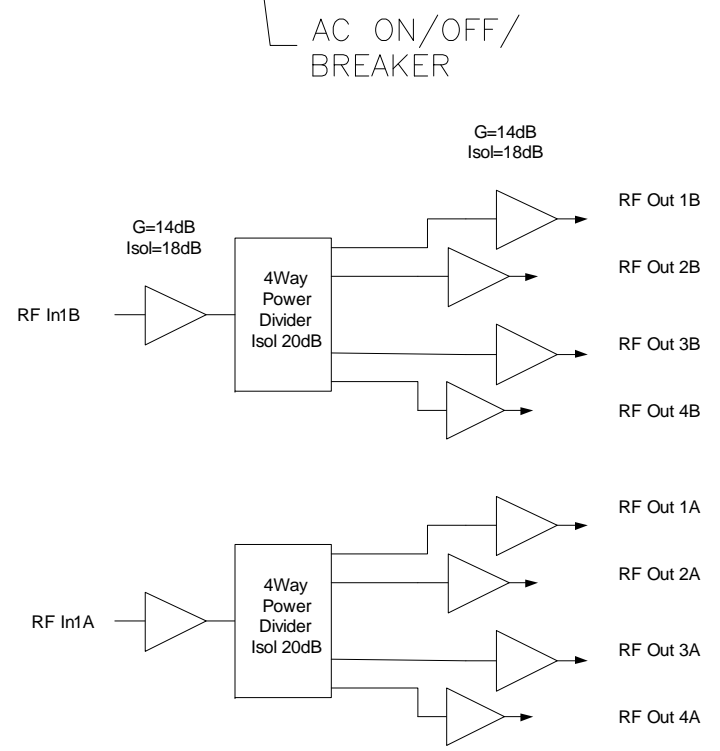


**** PROPRIETARY DATA ****
 THIS DOCUMENT CONTAINS DATA WHICH IS PROPRIETARY OR CONFIDENTIAL TO WV COMM (WV COMMUNICATIONS INCORPORATED). THIS DOCUMENT AND THE DATA CONTAINED HEREIN SHALL NOT BE USED, DUPLICATED, OR ALTERED WITHOUT THE EXPRESSED WRITTEN CONSENT OF WV COMM. ALL RIGHTS ARE RESERVED.

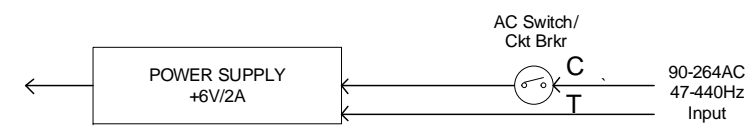
REVISIONS				
ZONE	REV	DESCRIPTION	DATE	APPROVED
	A	RELEASED	1/08/08	T.T.



10-32 UNC-2B MOUNTING HOLES
 3.88 SPACED 5 PLACES BOTH SIDES



OPERATING FREQUENCY RANGES: 1350-2400 MHz
NOMINAL GAIN: Unity
SMALL SIGNAL GAIN FLATNESS: ±3dB Maximum into 1.25:1 VSWR
NOISE FIGURE: 10dB Maximum
OUTPUT ISOLATION: 50dB Minimum
INPUT AND OUTPUT IMPEDANCE: 50Ω Nominal
INPUT & OUTPUT VSWR: 1.5:1 Maximum
INPUT POWER WO DAMAGE: +10dBm Maximum
TEMPERATURE RANGES: Operating 0 to +50°C
AC INPUT POWER: 90-264VAC/1Amp Maximum 1 Phase 47-440Hz



900-50216	MC-1350-2400-1x4
NEXT ASSEMBLY	USED ON
APPLICATION	

UNLESS OTHERWISE SPECIFIED: DIMENSIONS ARE IN INCHES. TOLERANCES ARE:
 FRACTIONS DECIMALS ANGLES HOLES
 ± 1/64 .XX±.01 ±0°30' .XX±.005
 .XXX±.005 .XXX+.003 .XXX-.001
 MACHINED FINISH: 32 RMS REMOVE BURRS .005 MAX

MATERIAL

FINISH

DO NOT SCALE DRAWING

APPROVALS	DATE
DRAWN T. TERRANOVA	1/07/08
CHECKED G.G.	1/08/08
MECH ENGR T.T.	1/08/08
ELEC ENGR J.T.	1/08/08
PRODUCTION A.M.	1/08/08
Q.A. D.B.	1/08/08

WV Communications 1176 Tourmaline Dr. Newbury Park, CA

MULTICOUPLER, 1350-2400 MHz Dual 1X4 DRAWER

SIZE	CAGE CODE	DWG. NO.	REV
B	1GFQ7	050-50625	A
SCALE NONE		SHEET 1 OF 1	