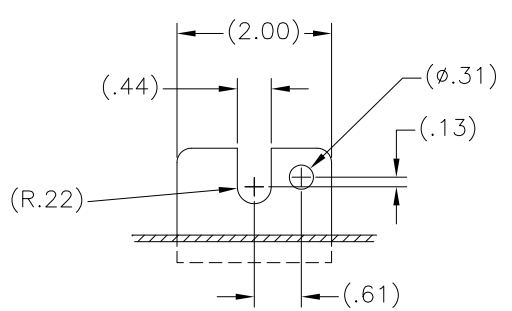
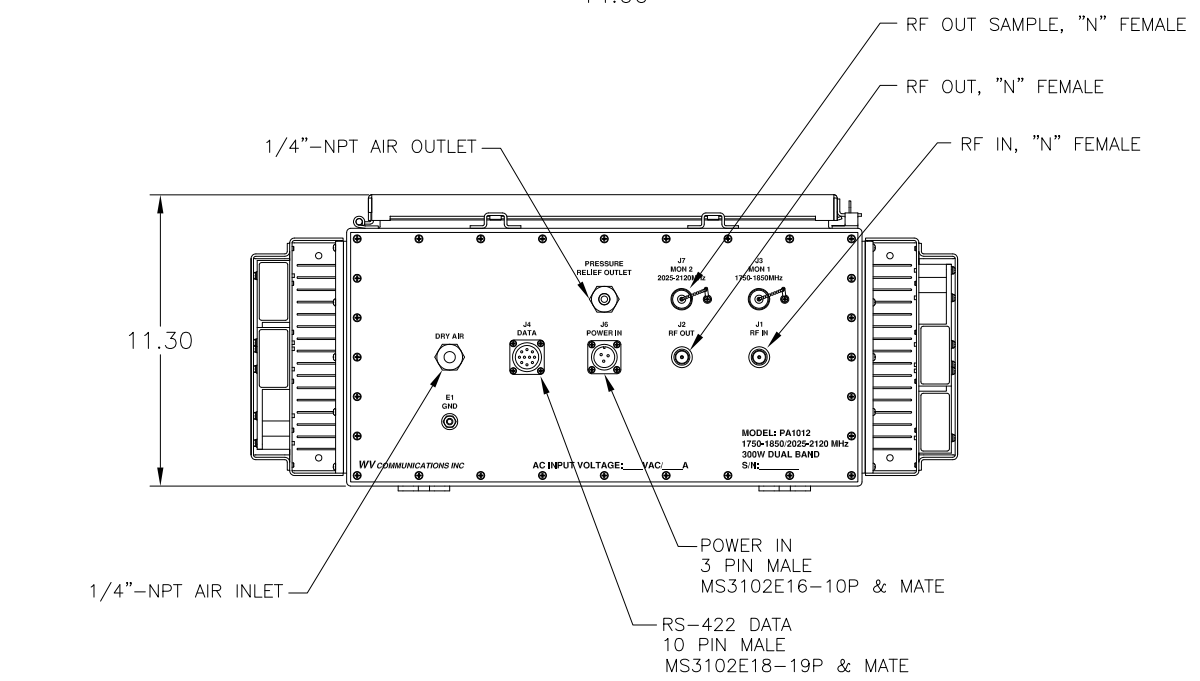
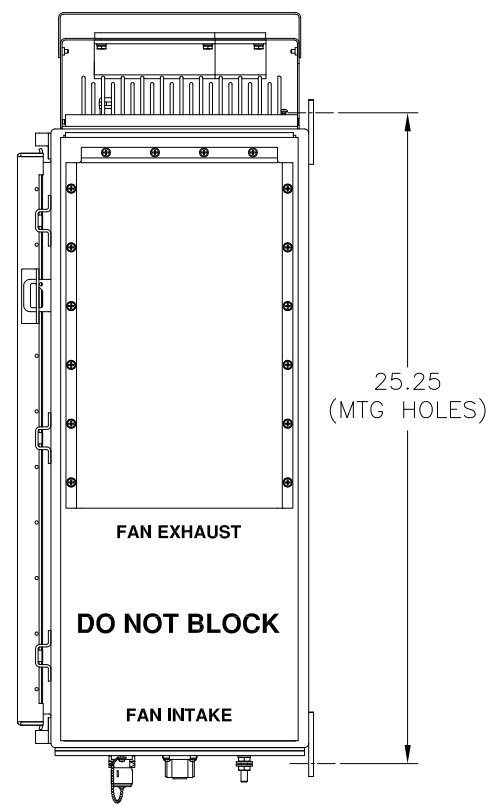
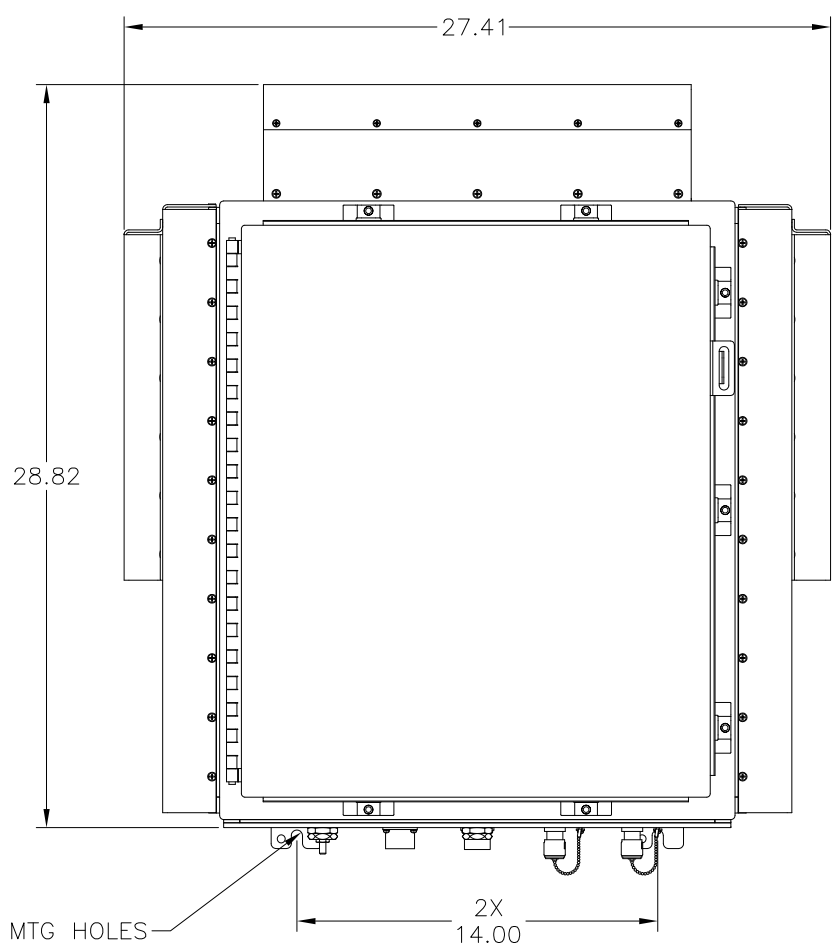


**\*\* PROPRIETARY DATA \*\***  
 THIS DOCUMENT CONTAINS DATA WHICH IS PROPRIETARY OR CONFIDENTIAL TO WV COMM (WV COMMUNICATIONS INCORPORATED). THIS DOCUMENT AND THE DATA CONTAINED HEREIN SHALL NOT BE USED, DUPLICATED, OR ALTERED WITHOUT THE EXPRESSED WRITTEN CONSENT OF WV COMM. ALL RIGHTS ARE RESERVED.

REVISIONS				
ZONE	REV	DESCRIPTION	DATE	APPROVED
	A	RELEASED	03/19/07	TT
	B	UPDATED TO MATCH 900-50201D	10/02/12	TT

**OPERATING FREQUENCY RANGE:** 1750-1850/2025-2120MHz  
**RF OUTPUT POWER:** 300W (+54.77dBm) Minimum at 1dB Comp  
**OPERATION:** User Selectable 1750-1850MHz or 2025-2120MHz Bands  
**RF OUTPUT MONITOR:** -40dBc Nominal  
**RF OUTPUT PROTECTION:** Protected to operate into any Load Mismatch over entire Bandwidth & Phase without Damage  
**GAIN FLATNESS OVER ENTIRE BAND:** ±1.0dB Maximum into 1.25:1 Load VSWR  
**GAIN FLATNESS OVER ANY 1MHz BAND:** ±0.1dB Maximum  
**RF INPUT POWER:** 0dBm Nominal  
**RF GAIN:** 54.77dB Minimum  
**RF GAIN STABILITY:** ±0.5dB/24Hr Maximum  
**RESIDUAL AM:** -40dBc Minimum over 250Hz-4KHz  
 -55dBc Minimum at 4KHz  
 -60dBc Minimum at 500KHz  
 -60dBc Minimum in 5MHz BW below Peak Deviation of ±2MHz  
**RESIDUAL FM:** -60dBc Minimum in 5MHz BW below Peak Deviation of ±2MHz  
**RF ATTENUATION RANGE:** 20dB in 1.0dB Steps  
**RF INPUT POWER W/O DAMAGE:** +3dBm Maximum  
**INPUT AND OUTPUT IMPEDANCE:** 50 Ohm Nominal  
**INPUT /OUTPUT VSWR:** 1.5:1 Maximum (Ref 50 Ohm)  
**HARMONIC / SPURIOUS LEVELS:** -20dBc Minimum  
**TEMPERATURE RANGES:** Operating -20 to +50°C cold start  
 Storage -50 to +70°C  
**NOISE FIGURE:** 12dB Maximum  
**COOLING REQUIRED:** Via Conduction/Built-in Forced Air Cooling  
**AMPLIFIER PROTECTION:** Over Temperature, VSWR, Overdrive  
**LOCAL CONTROL:** Via Internal Color LCD / Touchscreen Controller  
**REMOTE CONTROL/MONITOR:** RS-422 Port 9,600 Baud,8,N,1  
**AC INPUT POWER:** 115/230VAC 47-63Hz Single Phase Auto Select, 1750W Maximum



RS-422 DATA CONNECTOR - J4	
CONN	NOMENCLATURE
J5-A	N/U
J5-B	N/U
J5-C	N/U
J5-D	Rx+
J5-E	Rx-
J5-F	RS-422 RTN
J5-G	Tx+
J5-H	Tx-
J5-J	N/U
J5-K	N/U

"N" CONNECTORS - J1-J3	
CONN	NOMENCLATURE
J1	RF IN
J2	RF OUT
J3	RF OUT SAMPLE

POWER CONNECTOR - J6	
CONN	NOMENCLATURE
J6-A	115/230VAC HOT
J6-B	115/230VAC NEUTRAL
J6-C	SAFETY GROUND

APPROVALS	DATE
DRAWN TONY T.	03/19/07
CHECKED TT	03/19/07
MECH ENGR GG	03/19/07
ELEC ENGR DT	03/19/07
PRODUCTION AM	03/19/07
Q.A. DB	03/19/07

**WV Communications** 1176 Tourmaline Dr. Newbury Park, CA

**AMPLIFIER, SSPA, OUTDOOR**  
 1750-1850/2025-2120MHz 300W  
 MODEL: PA1012

SIZE D CAGE CODE 1GFQ7 DWG. NO. 050-50597 REV B

SCALE NONE SHEET 1 OF 1

900-50201	PA1012
NEXT ASSEMBLY	USED ON
APPLICATION	DO NOT SCALE DRAWING

UNLESS OTHERWISE SPECIFIED: DIMENSIONS ARE IN INCHES. TOLERANCES ARE:  
 FRACTIONS DECIMALS ANGLES HOLES  
 ± 1/64 .XXX±.01 ±0°30' .XXX±.005  
 MACHINED FINISH: 32 RMS REMOVE BURRS .005 MAX

REV B  
 DWG NO. 050-50597  
 DC-PDR-0015-3, REV C, 09/08