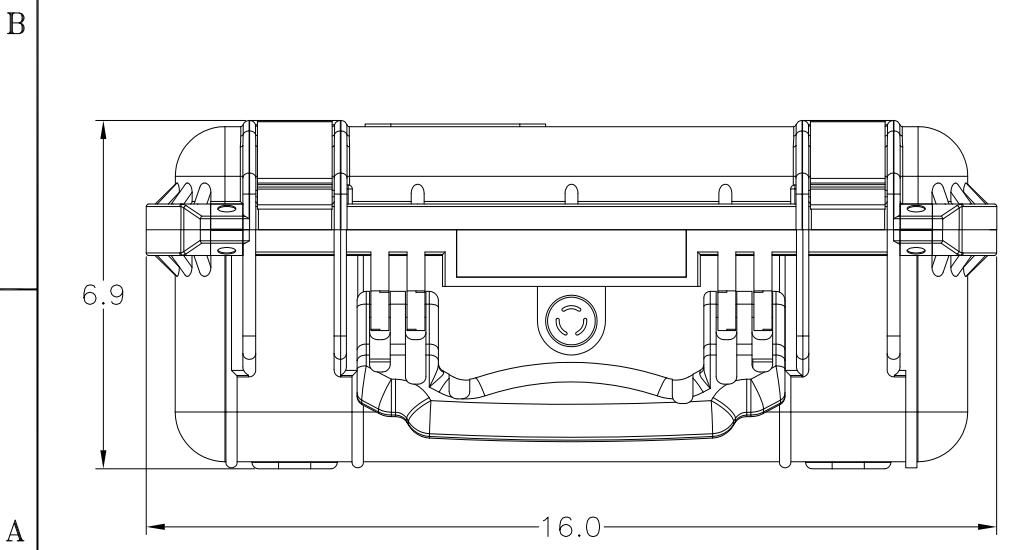
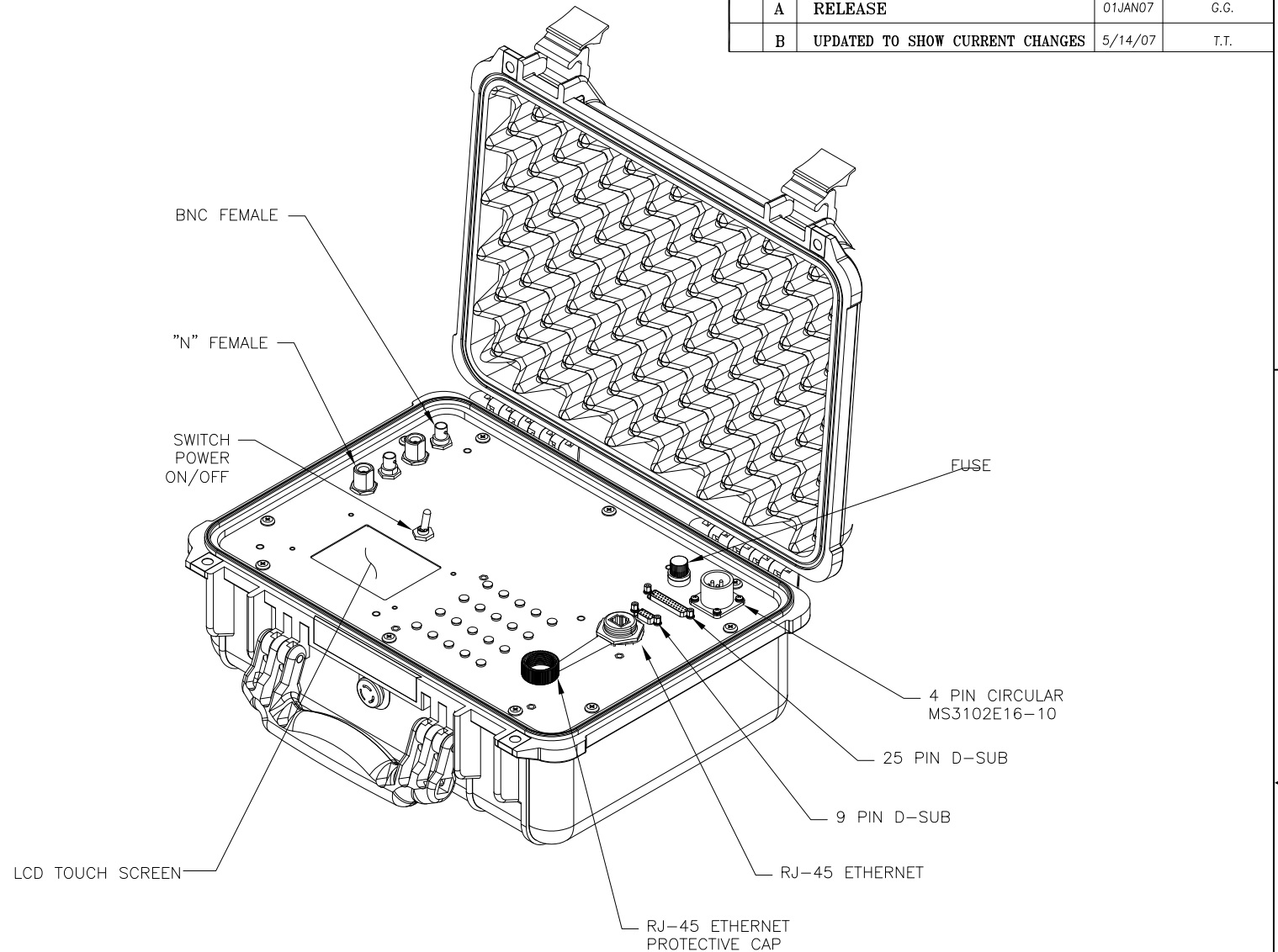
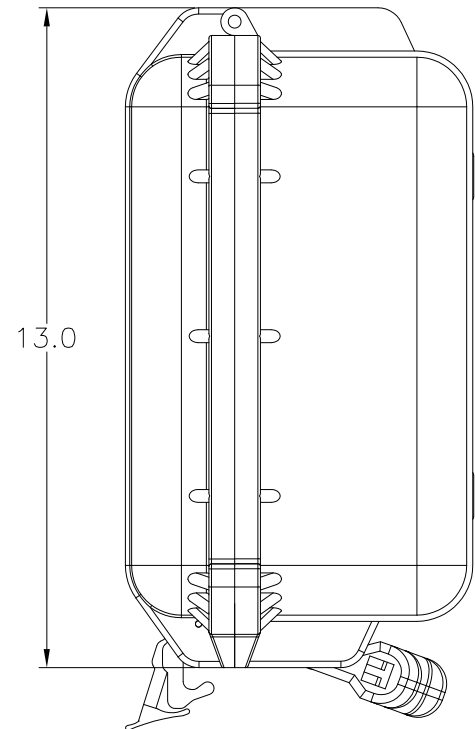
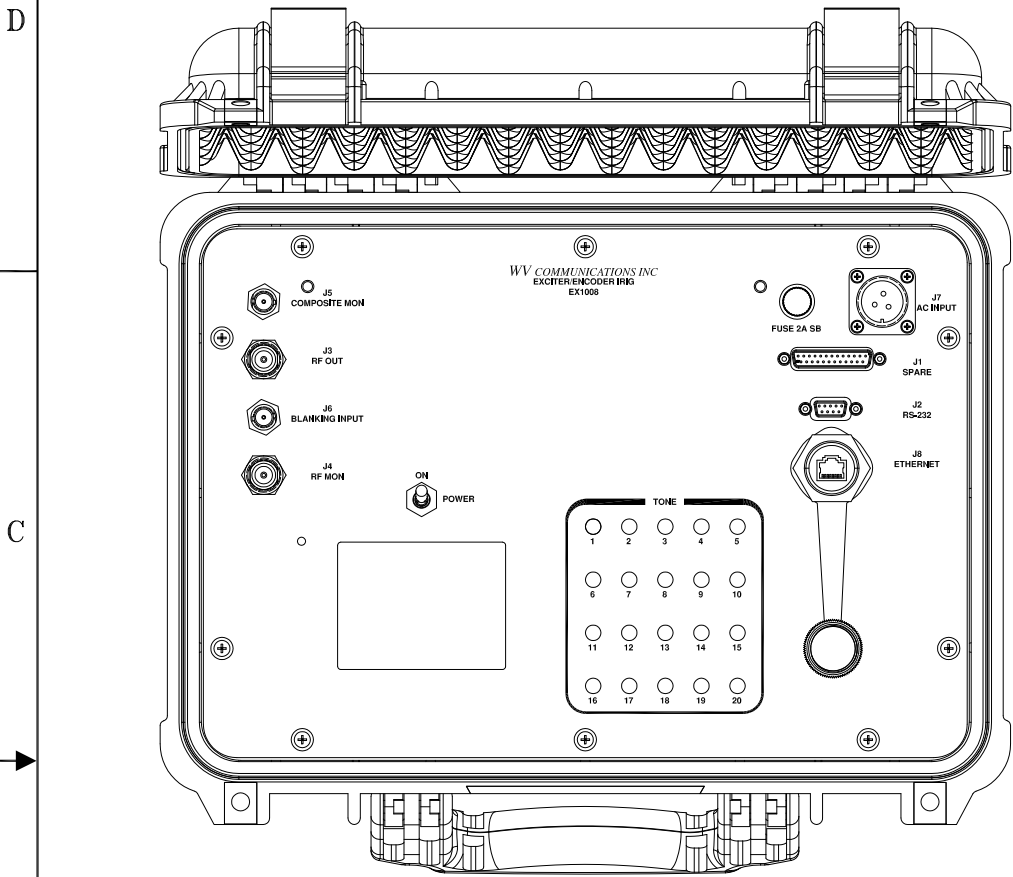


**** PROPRIETARY DATA ****
 THIS DOCUMENT CONTAINS DATA WHICH IS PROPRIETARY OR CONFIDENTIAL TO WV COMM (WV COMMUNICATIONS INCORPORATED). THIS DOCUMENT AND THE DATA CONTAINED HEREIN SHALL NOT BE USED, DUPLICATED, OR ALTERED WITHOUT THE EXPRESSED WRITTEN CONSENT OF WV COMM. ALL RIGHTS ARE RESERVED.

REVISIONS				
ZONE	REV	DESCRIPTION	DATE	APPROVED
	A	RELEASE	01JAN07	G.G.
	B	UPDATED TO SHOW CURRENT CHANGES	5/14/07	T.T.



EXCITER
CARRIER FREQUENCY: 370.0 to 450.0MHz
CARRIER FREQUENCY STEPS: 100.0KHz Steps
CARRIER STABILITY: ±0.0005% (±5ppm) Maximum
OUTPUT POWER RANGE: -5 to +10dBm in 0.5dB Steps
FM MODULATION RESPONSE: ±0.5dB Maximum over 5-75KHz
DEVIATION LEVEL: 30KHz per Tone Nominal
DEVIATION LEVEL ADJUST: Set for 0-40KHz Pk Deviation (Nominal 30KHz per Tone) Selectable via Front Panel or Remote
HARMONIC DISTORTION: 1% Maximum

ENCODER
NUMBER OF IRIG TONES: 20 Tones
tone FREQUENCY STABILITY: 0.01% Maximum
tone ACTIVATION INPUT: LOCAL or Ethernet UDP/IP or Serial RS-232
OUTPUT AMPLITUDE VARIATION: 15% Maximum
OUTPUT DISTORTION: 1% Maximum with any Tone Enabled
tone MONITOR OUTPUT: 1V Pk-Pk/30KHz Deviation/50Ω Load Nominal
tone OUTPUT SIGNAL DELAY: 5mSec Maximum from Application of Tone Command to Stable Output within 0.01%
TURN ON STABILITY: Frequency Stable within 0.1% after 1 second
tone FREQUENCIES: See Table
LED TONE MONITOR: Front Panel 20ea LEDs indicate active Tones
tone ACTIVATION: Via Front Panel Color LCD Touchscreen
REMOTE TONE ACTIVATION: Via Ethernet UDP/IP Interface or Serial RS-232
BLANKING INPUT: 0V=RF On, +5V=RF Off (Blanking on)

REMOTE OPERATION Protocol: Ethernet UDP/IP
 Serial RS-232C 9.6-115.2KB 8,N,1
 Frequency, Deviation, RF Output Power 0 to +50°C
MAIN SET & QUERY FUNCTIONS: 115/230VAC Auto Switch at 2.0 Amps Max
OPERATING TEMPERATURE: Single Phase, 47-63Hz
INPUT AC POWER: BLACK FED-STD-595 #27038
FRONT PANEL COLOR: 12LBs Maximum
WEIGHT:

TONE/FREQUENCY TABLE			
TONE	IRIG FREQUENCY (KHz)	TONE	IRIG FREQUENCY (KHz)
1	7.50	11	25.01
2	8.46	12	28.21
3	9.54	13	31.83
4	10.76	14	35.90
5	12.14	15	40.49
6	13.70	16	45.68
7	15.45	17	51.52
8	17.43	18	58.12
9	19.66	19	65.56
10	22.17	20	73.95

J1 SPARE 25 PIN D-SUB			
PIN NO.	PIN NAME	PIN NO.	PIN NAME
1	N/C	14	N/C
2	N/C	15	N/C
3	N/C	16	N/C
4	N/C	17	N/C
5	N/C	18	N/C
6	N/C	19	N/C
7	N/C	20	N/C
8	N/C	21	N/C
9	N/C	22	N/C
10	N/C	23	N/C
11	N/C	24	N/C
12	N/C	25	N/C
13	N/C		

J2 RS-232C 9 PIN D-SUB	
PIN NO.	PIN NAME
1	N/C
2	RX
3	TX
4	N/C
5	GND
6	N/C
7	N/C
8	N/C
9	N/C

J3 RF OUT N FEMALE	

J4 RF MON N FEMALE	

J5 COMPOSITE MON BNC FEMALE	

J6 BLANKING INPUT BNC FEMALE	

J7 AC INPUT MS3102E16-10	
PIN NO.	PIN NAME
1	LINE
2	NEUTRAL
3	GROUND

J8 ETHERNET RJ45	
PIN NO.	PIN NAME
1	TX+
2	TX-
3	RX+
4	N/C
5	N/C
6	RX-
7	N/C
8	N/C

APPROVALS		DATE
DRAWN	G. GODDARD	01JAN07
CHECKED	D. TURNER	01JAN07
MECH ENGR	T. TERRANOVA	01JAN07
ELEC ENGR	J. TRANOVICH	01JAN07
PRODUCTION	A. MEDINA	01JAN07
Q.A.	D. BRENNAN	01JAN07

WV Communications 1125 A Business Center Circle
 Newbury Park, CA

IRIG EXCITER ENCODER
 370-450MHz 20 TONE 100 KHz STEPS
 MODEL EX1008

SIZE	CAGE CODE	DWG. NO.	REV
D	1GFQ7	050-50584	B

SCALE NONE SHEET 1 OF 1

UNLESS OTHERWISE SPECIFIED: DIMENSIONS ARE IN INCHES. TOLERANCES ARE:	
FRACTIONS	DECIMALS
± 1/64	.001
.XXX	.005
.XXX	.003
.XXX	.001
MACHINED FINISH: 32 RMS REMOVE BURRS .005 MAX	
MATERIAL	
FINISH	
900-50194	EX1008
NEXT ASSEMBLY	USED ON
APPLICATION	DO NOT SCALE DRAWING