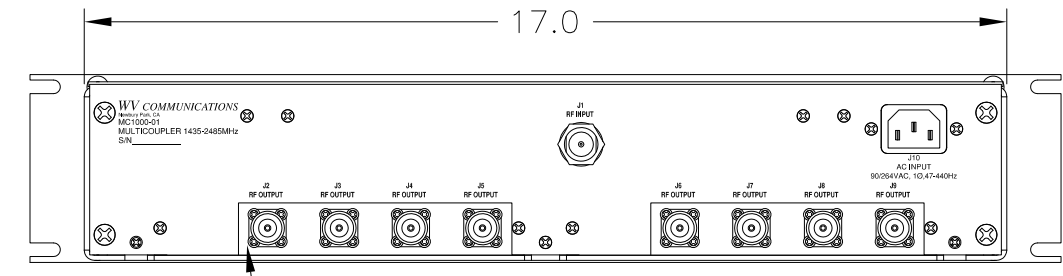
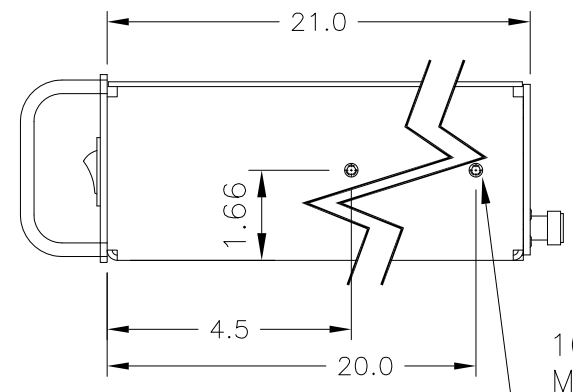
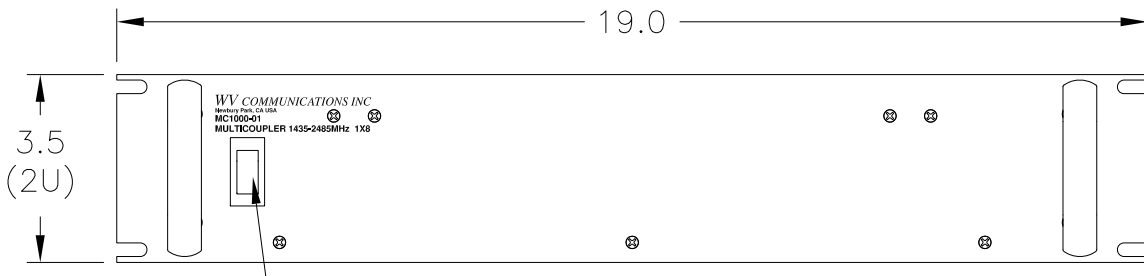


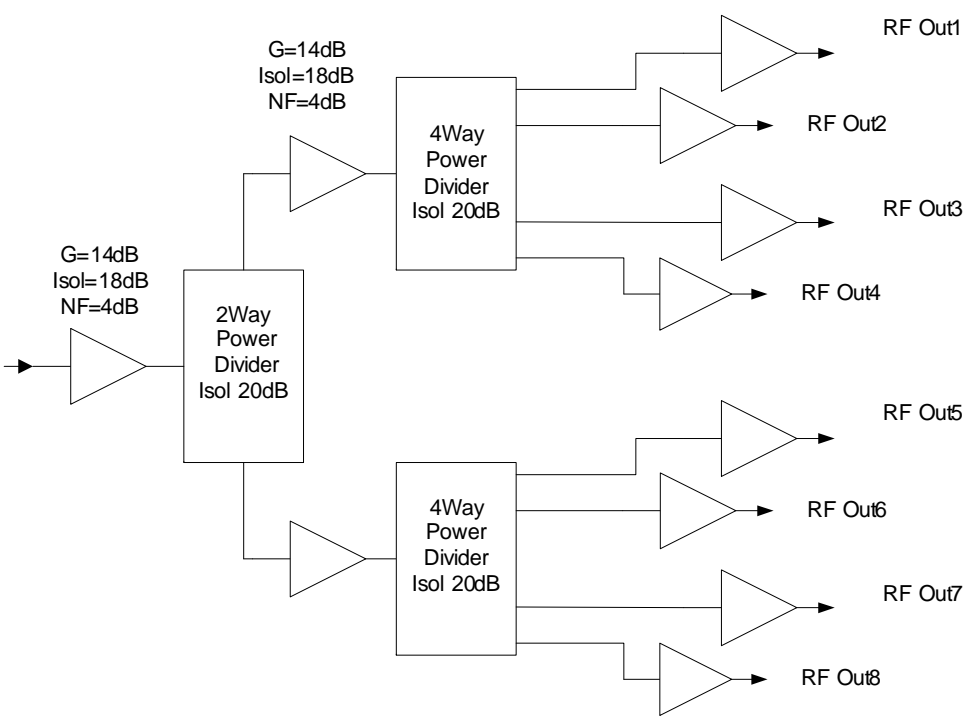
8 7 6 5 4 3 2 1

**** PROPRIETARY DATA ****
 THIS DOCUMENT CONTAINS DATA WHICH IS PROPRIETARY OR CONFIDENTIAL TO WV COMM (WV COMMUNICATIONS INCORPORATED). THIS DOCUMENT AND THE DATA CONTAINED HEREIN SHALL NOT BE USED, DUPLICATED, OR ALTERED WITHOUT THE EXPRESSED WRITTEN CONSENT OF WV COMM. ALL RIGHTS ARE RESERVED.

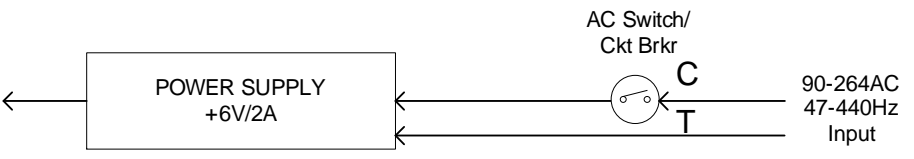
REVISIONS				
ZONE	REV	DESCRIPTION	DATE	APPROVED
	A	RELEASED	12/15/06	D.T.



10-32 UNC-2B MOUNTING HOLES
 3.88 SPACED 5 PLACES BOTH SIDES



OPERATING FREQUENCY RANGES: 1435-2485MHz
NOMINAL GAIN: Unity ± 1dB Maximum
SMALL SIGNAL GAIN FLATNESS: ±0.1dB Maximum over any 30MHz range
NOISE FIGURE: 7dB Maximum
ISOLATION OUTPUT PORT TO PORT: 50dB Minimum
ISOLATION INPUT TO OUTPUT: 50dB Minimum
PHASE TRACKING: ±1 Degree Maximum over any 30MHz range
INPUT AND OUTPUT IMPEDANCE: 50Ω Nominal
INPUT & OUTPUT VSWR: 1.5:1 Maximum
INPUT 1dB COMPRESSION: -2dBm Minimum
INPUT POWER W/O DAMAGE: +10dBm Maximum
TEMPERATURE RANGES: Operating 0 to +50°C
AC INPUT POWER: 90-264VAC Auto-Switch /1.0 Amp Maximum 1 Phase 47-440Hz



UNLESS OTHERWISE SPECIFIED: DIMENSIONS ARE IN INCHES. TOLERANCES ARE:			
FRACTIONS	DECIMALS	ANGLES	HOLES
± 1/64	.XX±.01	±0°30'	.XX±.005
	.XXX±.005		.XXX±.003
MACHINED FINISH: 32 RMS REMOVE BURRS .005 MAX			
MATERIAL			
FINISH			
NEXT ASSEMBLY	USED ON	APPLICATION	
		DO NOT SCALE DRAWING	

APPROVALS	DATE	WV Communications			
DRAWN A. RABACAL	12/15/06	1176 Tourmaline Dr. Newbury Park, CA			
CHECKED D. TURNER	12/15/06	MULTICOUPLER, 1435-2485MHz, 1 X 8 P/N MC1000-01			
MECH ENGR T. TERRANOVA	12/15/06				
ELEC ENGR J. TRANOVICH	12/15/06				
PRODUCTION A. MEDINA	12/15/06	SIZE D	CAGE CODE 1GFQ7	DWG. NO. 050-50576	REV A
Q.A. D. BRENAN	12/15/06	SCALE NONE	SHEET 1 OF 2		

D
C
B
A

D
C
B
A

8 7 6 5 4 3 2 1

REV A
 DWG NO. 050-50576
 DC-PDRM-0011-3, REV. C, 06/06