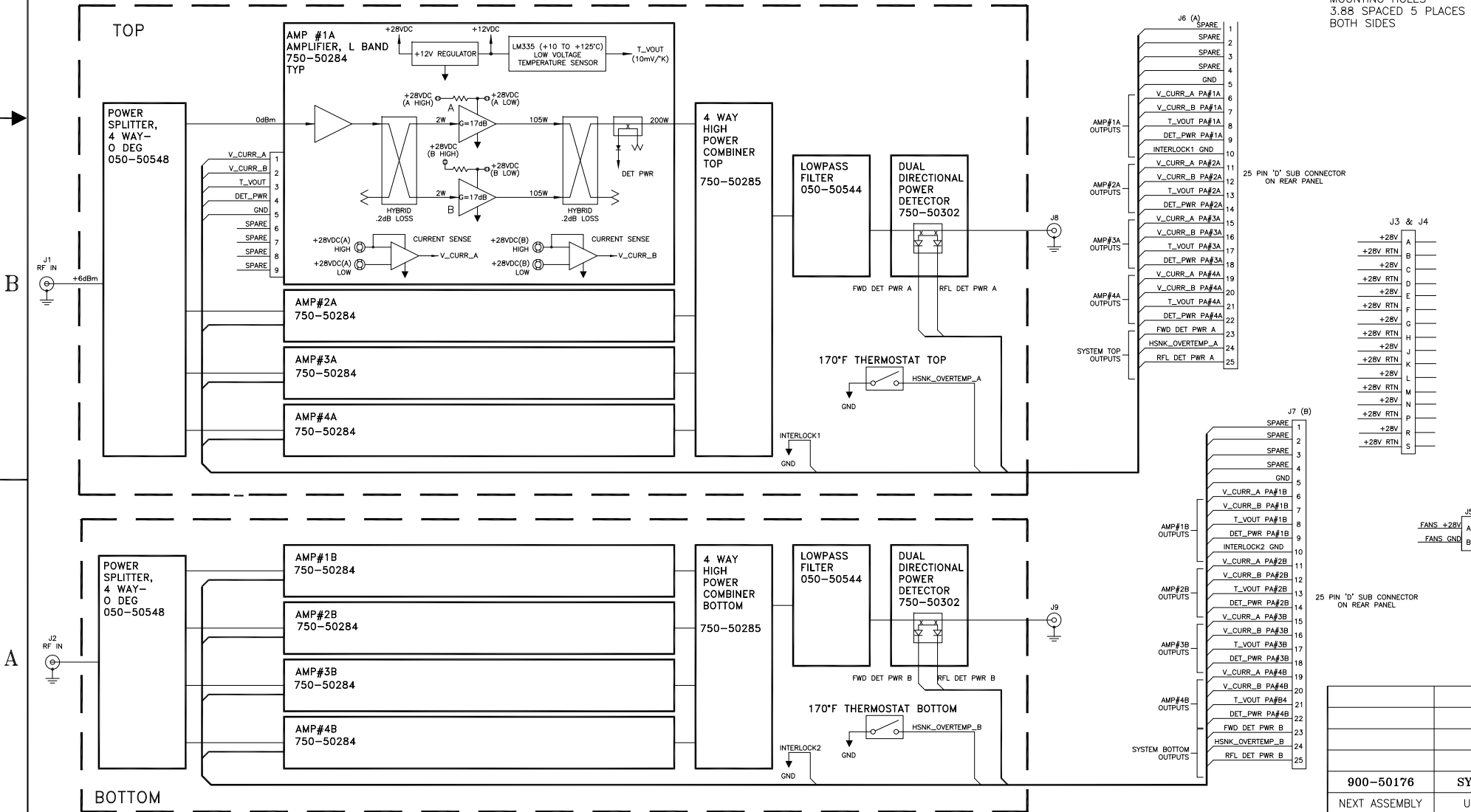
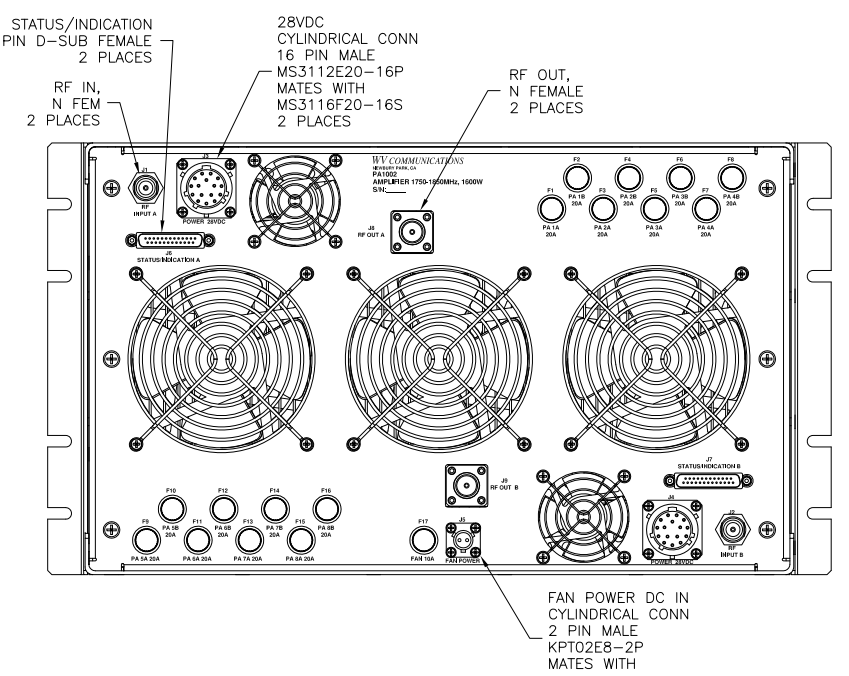
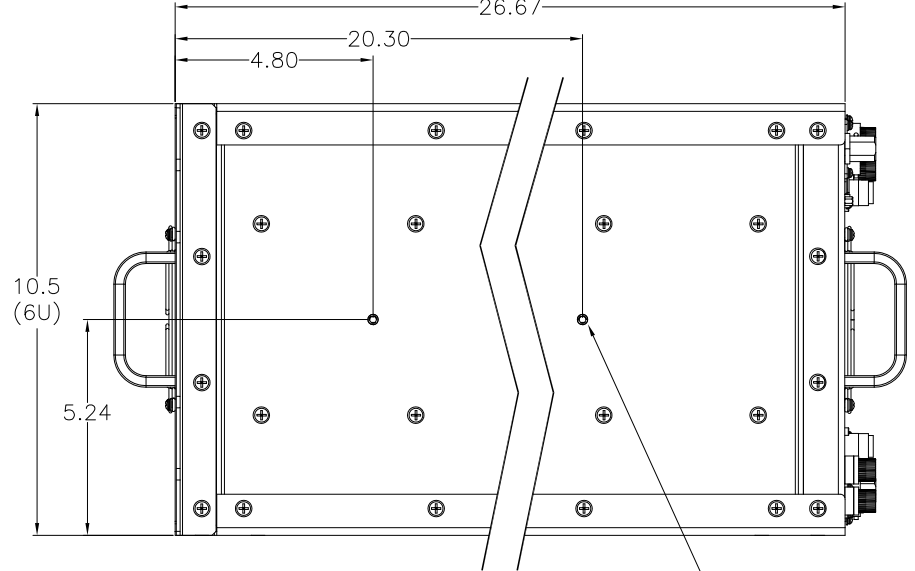
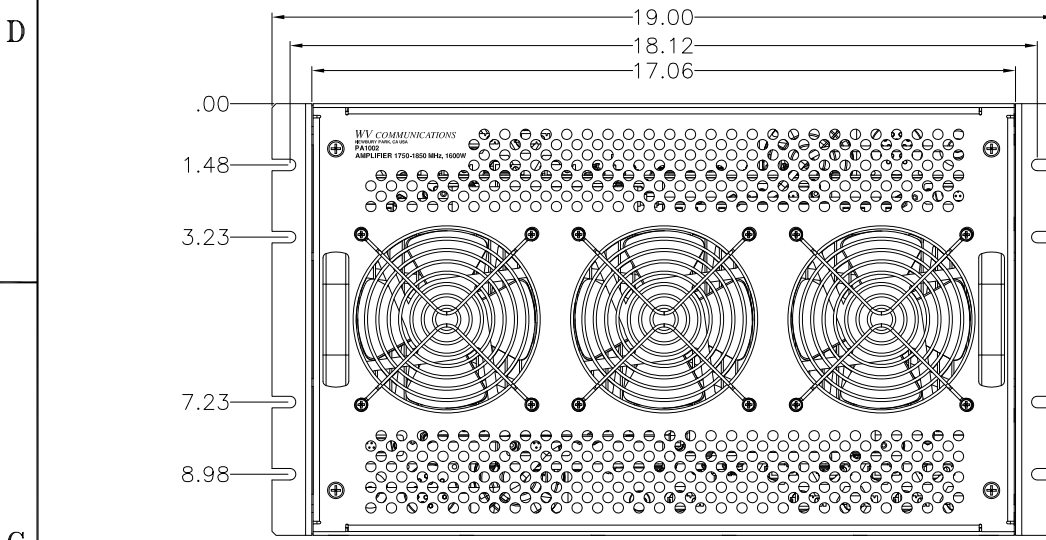


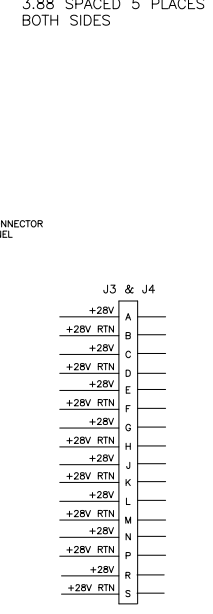
**** PROPRIETARY DATA ****
 THIS DOCUMENT CONTAINS DATA WHICH IS PROPRIETARY OR CONFIDENTIAL TO WV COMM (WV COMMUNICATIONS INCORPORATED). THIS DOCUMENT AND THE DATA CONTAINED HEREIN SHALL NOT BE USED, DUPLICATED, OR ALTERED WITHOUT THE EXPRESSED WRITTEN CONSENT OF WV COMM. ALL RIGHTS ARE RESERVED.

REVISIONS				
ZONE	REV	DESCRIPTION	DATE	APPROVED
A	RELEASED		21APR06	TT



SPECIFICATIONS SUMMARY

- OPERATING FREQUENCY RANGES:** 1750-1850MHz
- RF OUTPUT POWER:** 2ea 750W Min at 1dB Comp
- RF INPUT POWER:** 2ea +6dBm Nominal
- MAXIMUM RF INPUT POWER:** +10dBm Maximum W/O Damage
- SMALL SIGNAL GAIN FLATNESS:** ±1.5dB Maximum Into 1.05:1 VSWR
- INPUT AND OUTPUT IMPEDANCE:** 50 Ohm Nominal
- INPUT VSWR:** 2.0:1 Maximum (Ref 50 Ohm)
- HARMONIC SIGNAL LEVELS:** Integral Low Pass Filter
- SPURIOUS SIGNAL LEVELS:** -90dBc Maximum From 2200 – 2300MHz
- RF INPUT / OUTPUT CONNECTOR:** Type N Female
- COOLING:** Forced air via integral Front Panel Intake and Rear Panel Exhaust Fans
- OVER TEMPERATURE PROTECTION:** Thermostat Shut-Off Indication at +77 Deg C Heatsink Temperature
- TEMPERATURE RANGES:** Operating 0 to +50°C
- ALTITUDE:** MSL to 10,000 Ft
- CHASSIS DEPTH:** 26.75" Maximum
- DC INPUT POWER:** +28VDC at 125A Maximum for 2ea outputs of 500W ea
- WEIGHT:** 150 Lbs Maximum



UNLESS OTHERWISE SPECIFIED: DIMENSIONS ARE IN INCHES. TOLERANCES ARE:		APPROVALS	DATE	WV Communications 1176 Tourmaline Dr. Newbury Park, CA
FRACTIONS	DECIMALS	ANGLES	HOLE	
± 1/64	.XXX(.01)	±0°30'	.XXX(.005)	DRAWN G. GODDARD 21APR06 CHECKED TONY T. 21APR06 MECH ENGR GG 21APR06 ELEC ENGR JT 21APR06
	.XXX(.005)		.XXX(.001)	
900-50176	SYS-1000	FINISH		AMPLIFIER, DRAWER, 1750-1850 MHZ, PA1002
NEXT ASSEMBLY	USED ON			
APPLICATION		DO NOT SCALE DRAWING		SIZE CAGE CODE DWG. NO. REV D 1GFQ7 050-50532 A
				SCALE NONE SHEET 1 OF 1