

AC POWER	
CONN	NOMENCLATURE
J3-A	115/230VAC HOT
J3-B	115/230VAC NEUTRAL
J3-C	SAFETY GROUND

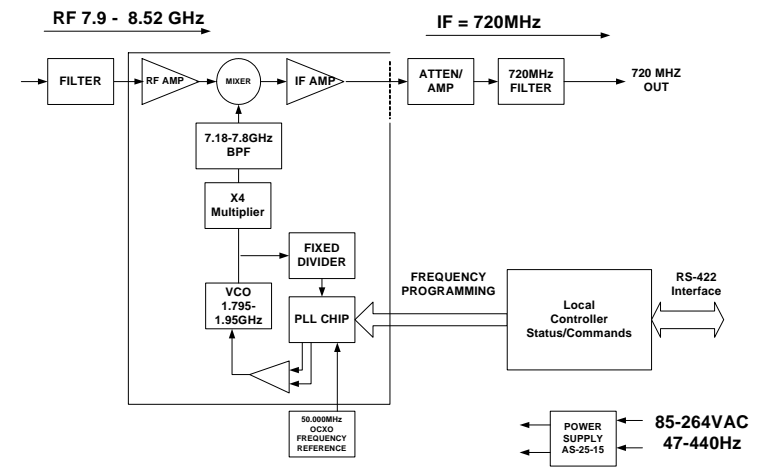
  

LNA POWER	
CONN	NOMENCLATURE
J5-A	+15VDC
J5-B	GND
J5-C	N/U
J5-D	GND

RS-422 INTERFACE	
CONN	NOMENCLATURE
J4-A	IN/U
J4-B	IN/U
J4-C	IN/U
J4-D	Rx+
J4-E	Rx-
J4-F	RTN
J4-G	Tx+
J4-H	Tx-
J4-J	IN/U
J4-K	IN/U

REVISIONS				
NO	REV	DESCRIPTION	DATE	APPROVED
1	A	PRELIMINARY RELEASE		



- RF Input Frequency Range:** 7900.0 to 8520.0MHz  
**LO Frequency Tuning Increments:** 125.0 kHz  
**IF Output Frequency:** 720 +/- 70 MHz  
**Input and Output VSWR:** 1.5:1 Maximum  
**Input and Output Impedance:** 50 Ohms nominal  
**Input Signal Level:** -50 to +5 dBm  
**LO Leakage:** -80 dBm Maximum  
**Gain (RF to IF):** 60dB Minimum  
**Noise Figure:** 15dB Maximum  
**RF Output 1dB Comp Point:** +15dBm Minimum  
**LO Frequency Stability:**  $5 \times 10^{-8}$  Maximum / -30 to +55C  
**Phase Noise:**
- | Offset  | Maximum     |
|---------|-------------|
| 10 Hz   | -40 dBc/Hz  |
| 100 Hz  | -50 dBc/Hz  |
| 1 KHz   | -60 dBc/Hz  |
| 10 KHz  | -70 dBc/Hz  |
| 100 KHz | -100 dBc/Hz |
| 1 MHz   | -120 dBc/Hz |
- Image Rejection:** 70 dB Minimum  
**Remote Control:** Via RS-422  
**Temp Non-Operating:** -54 to +71C  
**Temp Operating:** -30 to +55C  
**Humidity-Including Condensation:** Up to 100%  
**Rain:** Up to 4 inches per Hour  
**Ice:** One-half inch Radial  
**WARMUP TIME:** 10 Minutes  
**Input Power/Frequency:** 85-264VAC Auto-range  
 1 Amp Max, 47-440Hz

APPROVALS		DATE
DESIGNED BY	G. GOODARD	18NOV02
CHECKED BY		
APPROVED BY		
DATE		

MANUFACTURED BY	DATE	REV

ISSUE	CLASS CODE	DATE	REV
D	1GFQ7	050-50280	A

APPLICATION	USED ON	DO NOT SCALE DRAWING
-------------	---------	----------------------

**WV Communications** 756-A LAKEFIELD RD. WESTLAKE VILLAGE, CA

**DOWN CONVERTER, 7900-8520 MHz TO 720MHz DOWNC-7.9-8.52GHz**

050-50280 1 OF 1