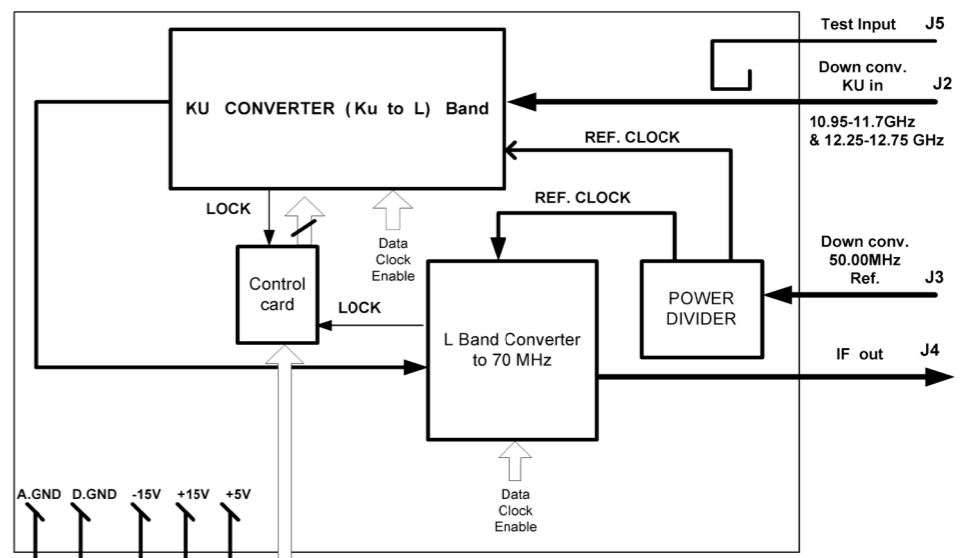
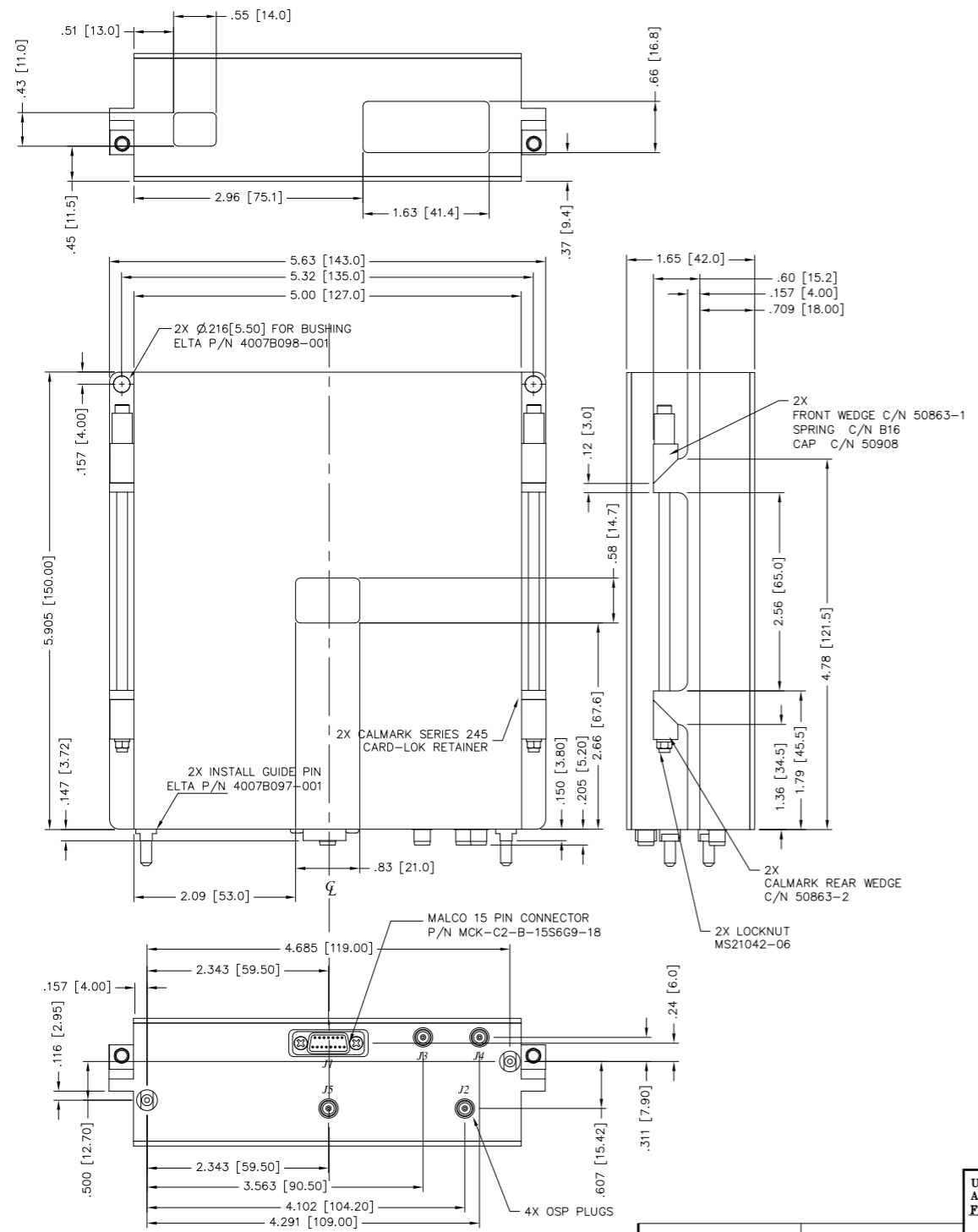


**\*\* PROPRIETARY DATA \*\***  
 THIS DOCUMENT CONTAINS DATA WHICH IS PROPRIETARY OR CONFIDENTIAL TO WV COMM (WV COMMUNICATIONS INCORPORATED). THIS DOCUMENT AND THE DATA CONTAINED HEREIN SHALL NOT BE USED, DUPLICATED, OR ALTERED WITHOUT THE EXPRESSED WRITTEN CONSENT OF WV COMM. ALL RIGHTS ARE RESERVED.

REVISIONS				
ZONE	REV	DESCRIPTION	DATE	APPROVED
	A	PRELIMINARY RELEASE		
	B	MOVED CONNECTORS TO ONE SIDE	04DEC02	
	C	MOVED CONNECTORS TO ONE SIDE	13DEC02	
	D	CHANGED & MOVED CONNECTORS	17DEC02	
	F	ADDED MISSING DIMENSIONS	23DEC02	
	G	CHANGED PINS 7-10 TO ELTA CONFIGURATION	03AUG06	
	H	CHANGED BUSHING & GUIDE PIN PART NUMBER	8/29/12	TT
	J	LOCK NUT WAS MS21042-2, CHG PER CW0-0324-120313	12/3/13	TT



Connector J1

PIN No.	Function	Description	Level
1	+ 5 Vdc supply	+ 5 Vdc @ 0.55Amp.	
2	GND 5Vdc	Ground digital supply	
3	GND ANA	Ground Analog supply	
4	+15 Vdc supply	+15 Vdc @ 0.5 Amp.	
5	-15 Vdc supply	-15 Vdc @ 0.1 Amp.	
6	Chassis Ground		
7	Ser_DATA_Rx-	RS-422 - RX - Receive serial command (to DC)	5V Diff Bus
8	Ser_DATA_Rx+	RS-422 - RX - Receive serial command (to DC)	5V Diff Bus
9	Ser_DATA_Tx-	RS-422 - TX - Transmit serial command (from DC)	5V Diff Bus
10	Ser_DATA_Tx+	RS-422 - TX - Transmit serial command (from DC)	5V Diff Bus
11	Reset	Discrete signal resets the UDC internal controller.	Internal Pull Up. "0" = Reset
12-15	Not Used		

Conn	Name	Type	NOTES
J1	CNTR & CMD	15 F Conn	MCK-C2-B-15SYY (Malco)
J2	Down Conv RF In	OSP M	10.95-11.7 & 12.20-12.70GHz
J3	Down Conv Ref In	OSP M	50.000MHz
J4	IF Out	OSP M	70MHz
J5	Test In	OSP M	10.95-11.7 & 12.20-12.70GHz

UNLESS OTHERWISE SPECIFIED: DIMENSIONS ARE IN INCHES. TOLERANCES ARE:  
 FRACTIONS DECIMALS ANGLES HOLES  
 ± 1/64 .XX±.01 ±0°30' .XX±.005  
 .XXX±.005 .XXX±.005 .XXX±.001  
 MACHINED FINISH: 32 RMS REMOVE BURRS .005 MAX

MATERIAL

FINISH

900-50103 4004M840-001

NEXT ASSEMBLY USED ON

APPLICATION DO NOT SCALE DRAWING

APPROVALS	DATE
DRAWN G. GODDARD	7/29/02
CHECKED GG	7/29/02
MECH ENGR TT	7/29/02
ELEC ENGR JT	7/29/02
PRODUCTION AM	7/29/02
Q.A. DB	7/29/02

**WVCommunications** 1125A Business Center Circle  
 Newbury Park, CA

**DOWNCONVERTER DUAL BAND**  
 10.95-11.7 & 12.25-12.75GHz to 70MHz  
 ELTA P/N: 4004M840-001

SIZE C	CAGE CODE 1GFQ7	DWG. NO. 050-50258	REV J
SCALE NONE	SHEET 1 OF 1		

DWG NO. 050-50258  
 DC-FORM-0015-3, REV C, 06/98