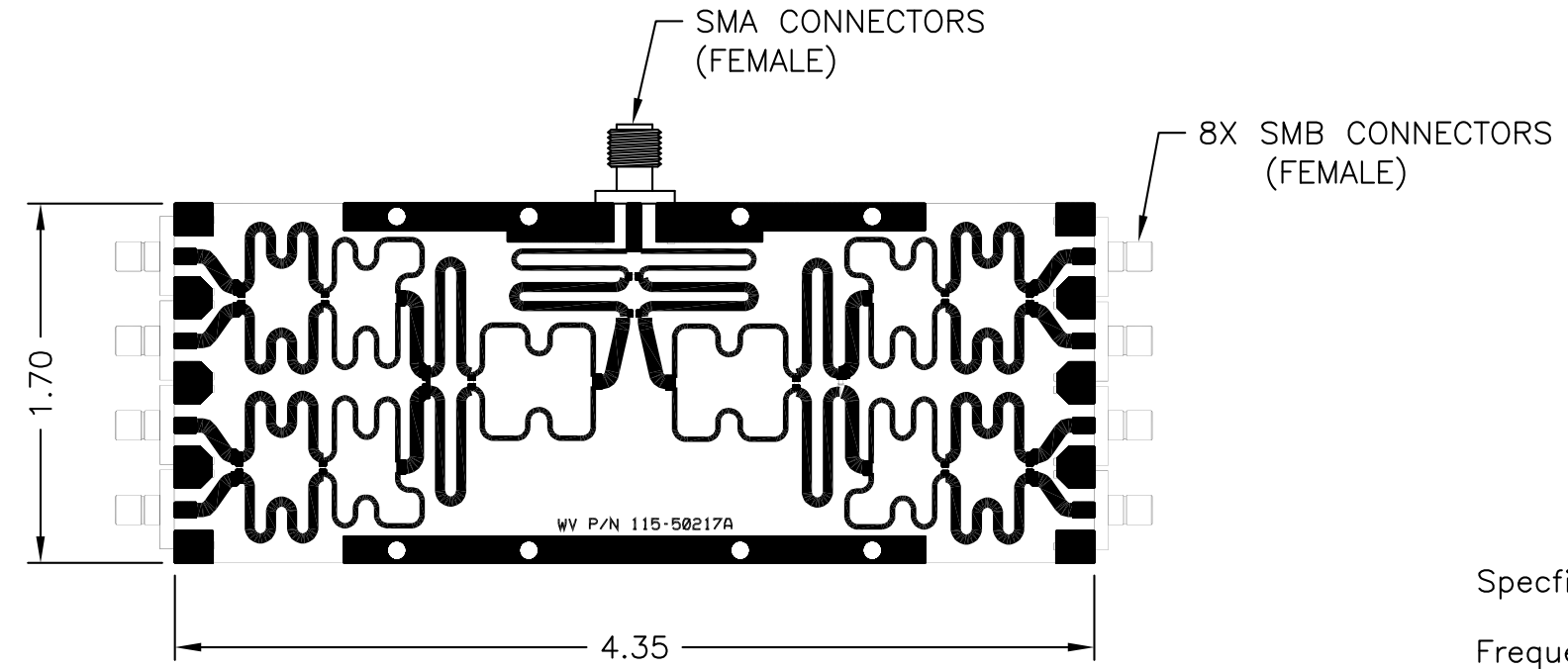


**** PROPRIETARY DATA ****
 THIS DOCUMENT CONTAINS DATA WHICH IS PROPRIETARY OR CONFIDENTIAL TO WV COMM (WV COMMUNICATIONS INCORPORATED). THIS DOCUMENT AND THE DATA CONTAINED HEREIN SHALL NOT BE USED, DUPLICATED, OR ALTERED WITHOUT THE EXPRESSED WRITTEN CONSENT OF WV COMM. ALL RIGHTS ARE RESERVED.

REVISIONS				
ZONE	REV	DESCRIPTION	DATE	APPROVED
	A	PRELIMINARY RELEASE		



Specifications:
 Frequency Range: 800–2400 MHz
 RF Impedance: 50 ohms Nominal
 Power Handling: +20dBm Maximum
 RF Flatness: +/-0.5dB Maximum
 Size: 4.35" x 1.70" (without connectors)

UNLESS OTHERWISE SPECIFIED: DIMENSIONS ARE IN INCHES. TOLERANCES ARE:
 FRACTIONS DECIMALS ANGLES HOLES
 ± 1/64 .XX±.01 ±0°30' .XX±.005
 .XXX±.005 .XXX+.003 .XXX-.001
 MACHINED FINISH: 32 RMS
 REMOVE BURRS .005 MAX

		APPROVALS	DATE
		DRAWN G. GODDARD	21AUG02
		CHECKED	
		MECH ENGR	
		ELEC ENGR	
		P/PA	
		APPROVED	
		DO NOT SCALE DRAWING	

WV Communications 756-A LAKEFIELD RD.
 WESTLAKE VILLAGE, CA

8 WAY POWER SPLITTER
 800MHz - 2.4GHz

SIZE B	CAGE CODE 1GFQ7	DWG. NO. 050-50244	REV A
SCALE NONE		SHEET 1 OF 1	

DC-FORM-00015-3, REV C, 06/98